



# RHINO-RACK®

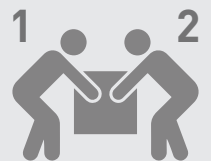
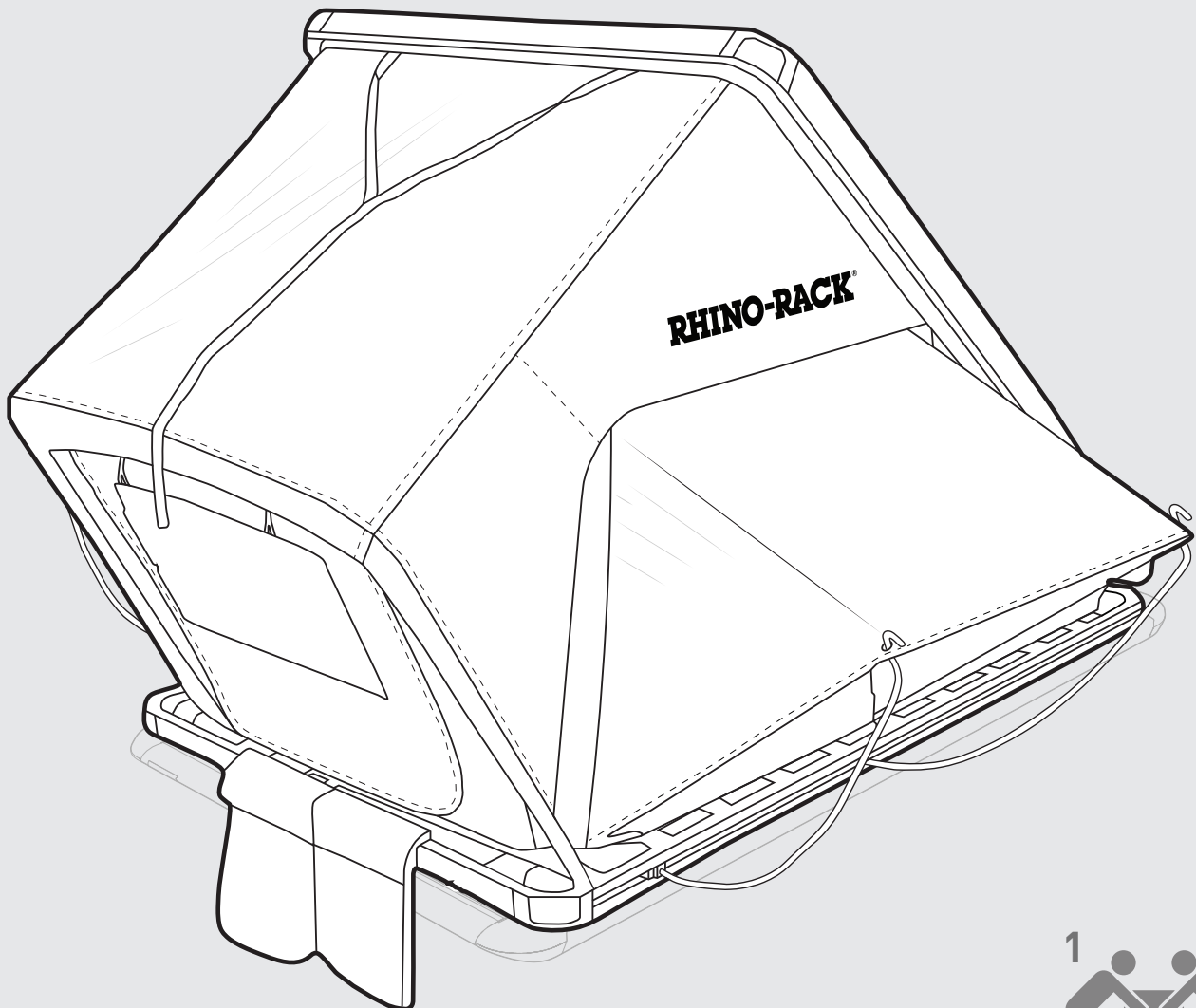
## Low Profile Hardshell Roof Top Tent

61052

**Important:**

1. Check the Rhino-Rack website to ensure you have the latest issue of these instructions.
2. Please refer to your fitting instruction to ensure that the roof racks are installed in the correct locations.
3. Check the contents of kit before commencing fitment and report any discrepancies.
4. Place these instructions in the vehicle's glove box after installation is complete.
5. These instructions must be followed for warranty to be upheld.

**Fit Time:** 30 mins



Thank you for choosing Rhino-Rack!



**WELCOME TO THE HERD.**

For peace of mind register your product by heading to [rhinorack.com/register](https://rhinorack.com/register)

**RHINORACK.COM**

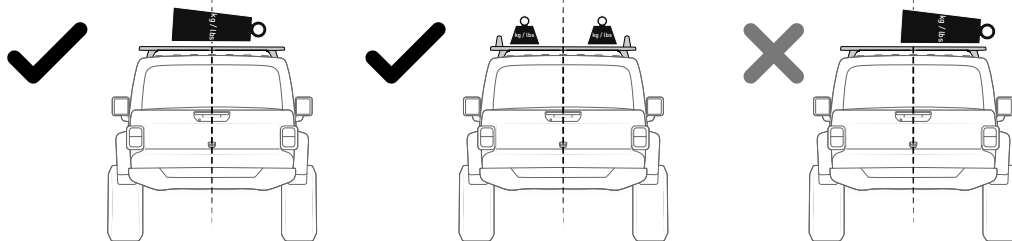
Doc. No: 520-RFI-00280

Issue No: 03

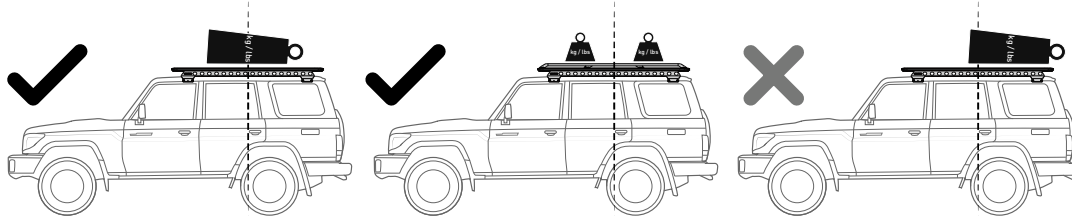
Issue Date: 25/05/2026

# CONTENTS

3	WARNINGS
<b>4</b>	<b>CARRYING CAPACITY</b>
4	GENERAL WARNINGS
4	WARRANTY
<b>5</b>	<b>SPECIFICATIONS</b>
5	CLOSED DIMENSIONS
5	OPENED DIMENSIONS
5	TENT OVERVIEW
<b>6</b>	<b>PARTS LIST</b>
<b>7</b>	<b>MOUNTING OPTIONS</b>
<b>8</b>	<b>UNPACKING CONTENTS</b>
<b>9</b>	<b>INSTALLATION</b>
9	UNDERBAR INSTALLATION
12	MOUNT BRACKET + TENT INSTALLATION
<b>19</b>	<b>TENT USAGE</b>
19	OPENING THE HARDSHELL
20	LADDER SET UP
21	TENT SET UP
24	LED LIGHT BAR
<b>25</b>	<b>TENT STOWAGE</b>
<b>27</b>	<b>TENT REMOVAL</b>



Distribute loads evenly and longitudinally as low as possible over the span.

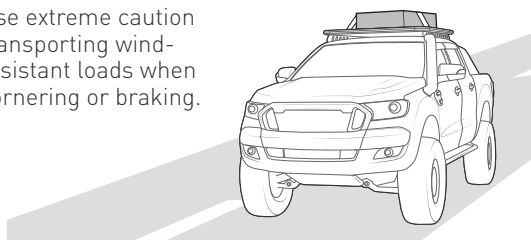


Avoid point loads concentrated at the front or rear.

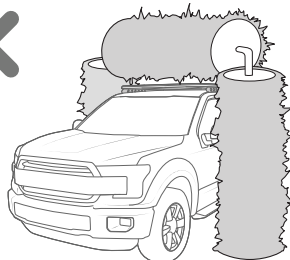


**Do not** exceed a maximum speed of **100 km/h** / **62 mp/h**

Use extreme caution transporting wind-resistant loads when cornering or braking.



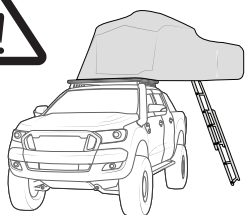
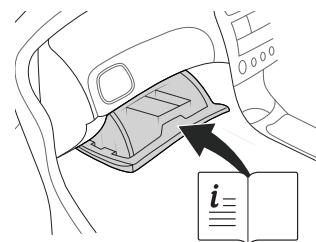
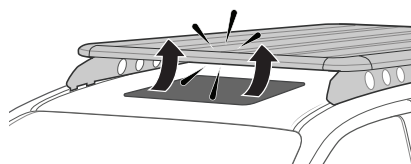
Off-road conditions can be more rigorous. Use extreme caution on paths without a sealed surface like tar or bitumen.



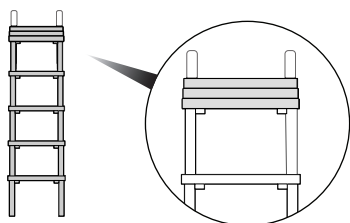
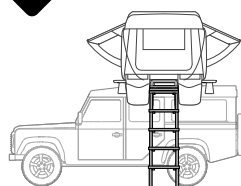
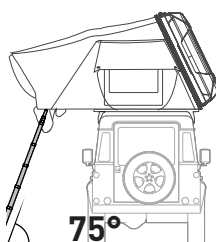
Racks must be removed when vehicle is put through an automatic car wash.



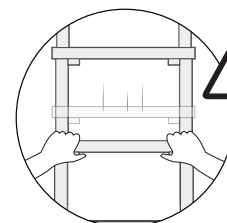
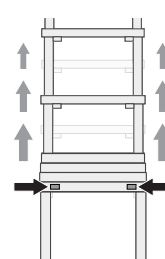
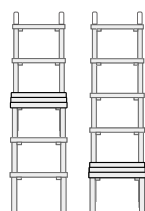
Ensure sunroof will not collide with roof rack system.



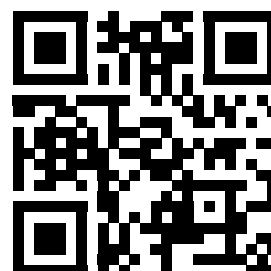
Ensure Ladder is well supported on the ground to support tent. Take extreme caution when climbing heights above 1.2m/4ft.



Collapse ONLY the **top-most** ladder rungs.



Youtube.com/Rhinorackaustralia



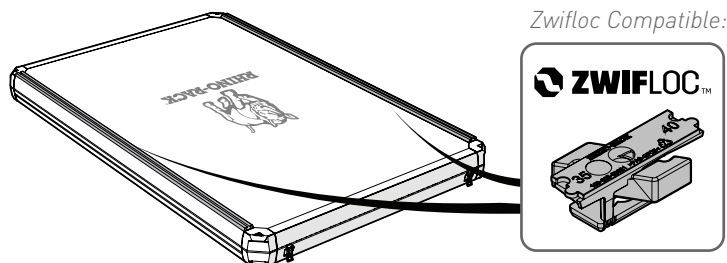
## Carrying Capacity

Check your vehicle owners hand book for vehicle maximum carrying capacity. Please ensure you use the vehicle manufacturer's maximum roof allowance if it is lower than the figure listed in this instruction.

**IMPORTANT:** Ensure your vehicle roof has a load rating higher than the weight of both the tent and any mounted accessories, and a static load limit that can support the tent in use.

### USING THE TENT-COVER TRACKS:

Tracks can be used like cross bars.

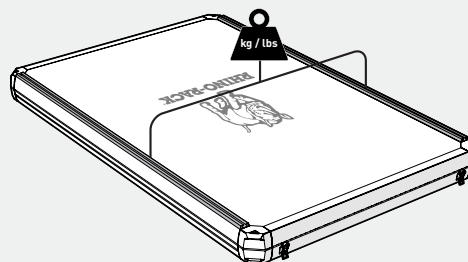


When installing cross bars, use only the hardware supplied with the leg or Fit Kit.

### MAXIMUM LOAD RATING

**30 kg / 66.1lbs**

Load must be evenly distributed over BOTH tracks.



## Warning

- Do not attempt to fit the accessory to your vehicle unless you fully understand these fitting instructions. Please direct any questions regarding fitting to the dealer from where the product was purchased.
- Off-road conditions can be much more rigorous. Extreme care must be taken in off road conditions.
- Rooftop Tent and Roof Rack System must be removed when vehicle is put through an automatic car wash.
- Ensure product is secured before driving.
- Do not walk on the top surface of the tent.
- Remove all items or loads from the top of the tent before taking it off the vehicle.

## In service maintenance checks

- All bolt connections should be checked after driving a short distance when you first install your Tent.
- All bolted connections should be checked again at regular intervals (weekly is recommended, depending on road conditions, usage, loads and distances travelled).
- All bolted connections should be checked each time they are re-fitted.
- Off-road conditions are more rigorous. Check all bolted connections and your load more regularly.
- Ensure that your vehicle manufacturer's GVM, and gross axle weights are not exceeded [refer to vehicle owner's manual].

## Sensitivity to Crosswinds, Behaviour in Curves and Braking.

Remember that the handling characteristics of your vehicle will change when transporting a load on the roof. Exercise extreme care when transporting wind-resisting loads; special consideration must be taken into account when braking.

## Note for Dealers and Fitters

It is your responsibility to ensure these fitting instructions are given to the end user or client. These instructions remain the property of Rhino-Rack Australia Pty. Ltd. and may not be used or changed for any other purpose than intended.

## Notes for Usage

As with all types of tents, to help maintain long life and best operational use of your equipment:

- If tent is packed away wet during use, ensure that it is opened at the next available opportunity to air and dry out.
- Fully drying and airing out a tent before placing back into longer term storage is particularly important.
- Particularly in colder conditions hot/humid air exhaled will naturally rise and moisture can then collect on inside surfaces. Wherever possible ensure roof vents are open and windows partially open to allow good air flow into and out of the tent.

## Warranty

We love creating our products for you and hope you love using them too. For complete peace of mind, register your product at [www.rhinorack.com/warranty](http://www.rhinorack.com/warranty). This way, we can quickly help you with any future approved fitment warranty claims.

And remember – never to forget to **Make Space For Adventure!**



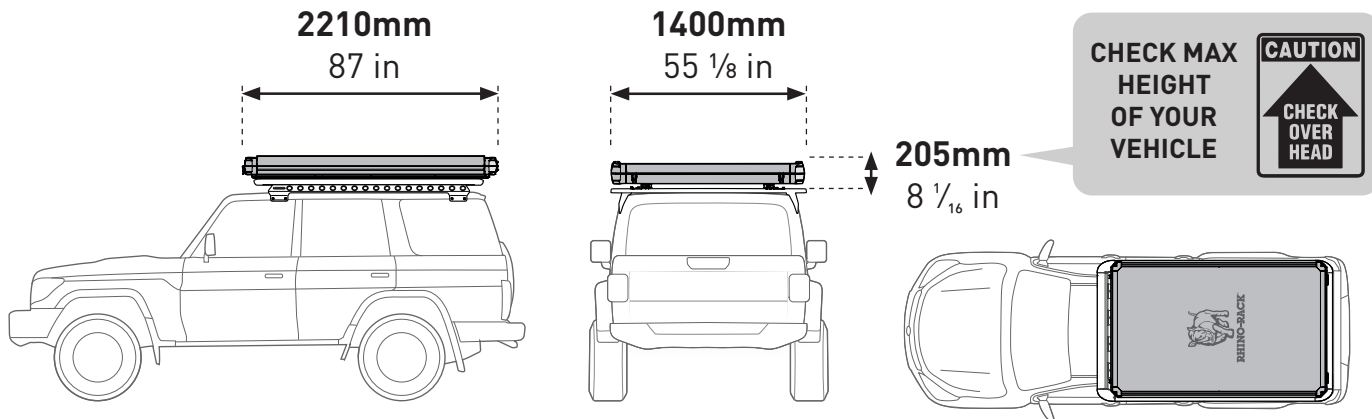
**SPECIFICATIONS**

On Car Weight **69 kg / 152lbs**  
 Sleeping Capacity **2 people**  
 Weight Capacity **300kg / 661bs**

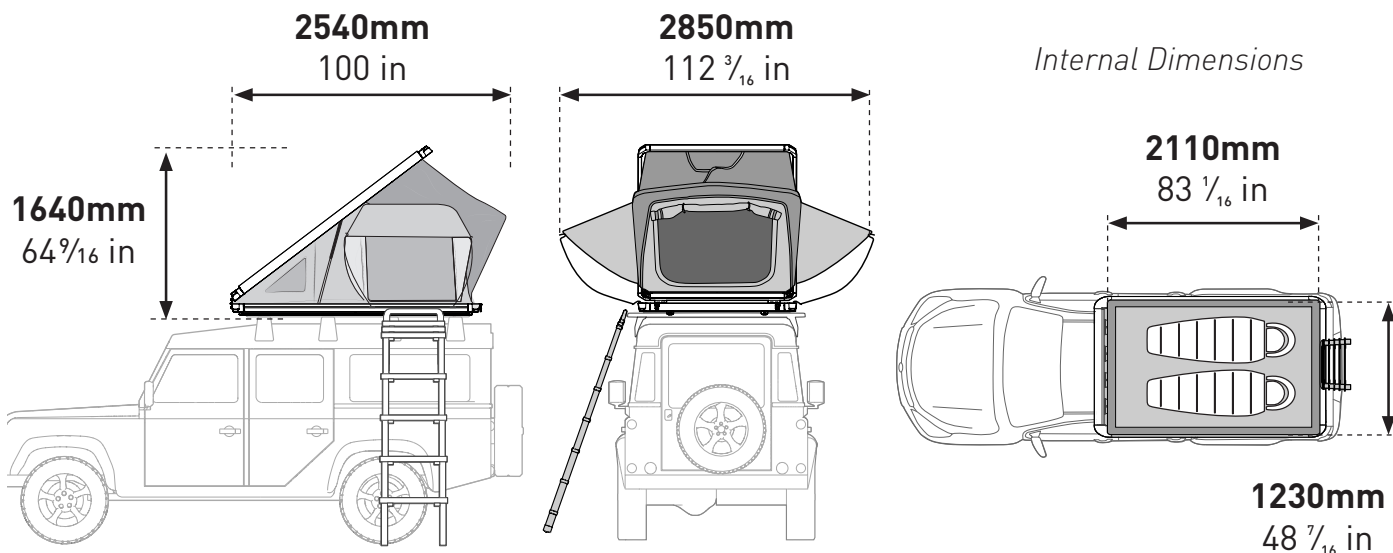


When using a **2-bar** system, ensure the tent load is **evenly distributed** across both bars.

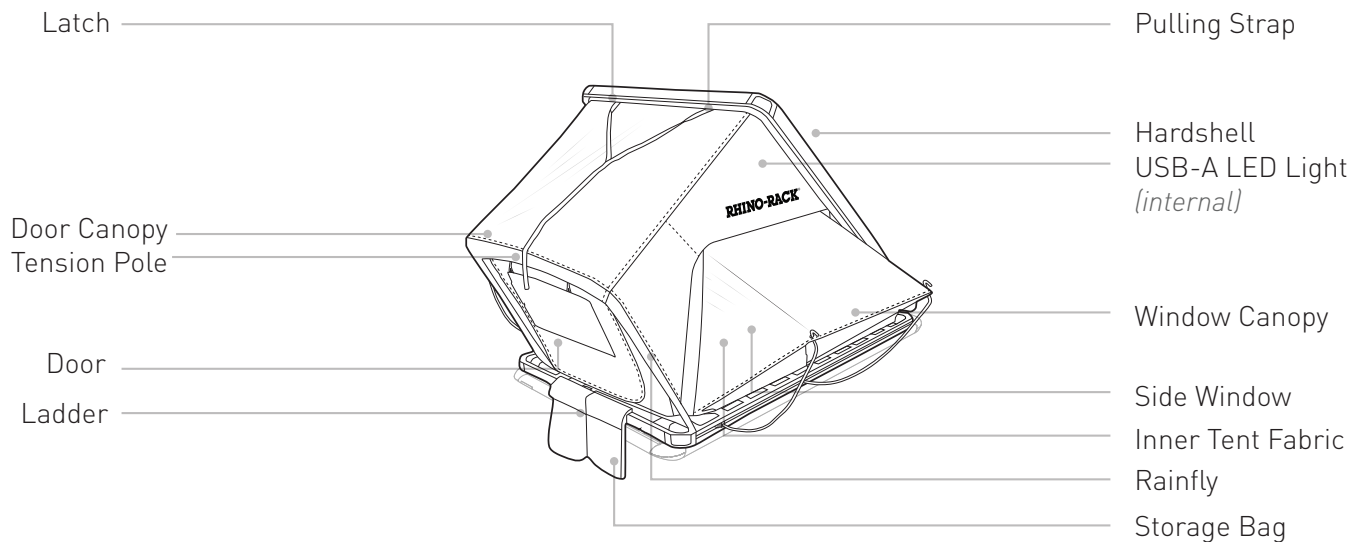
**CLOSED DIMENSIONS**



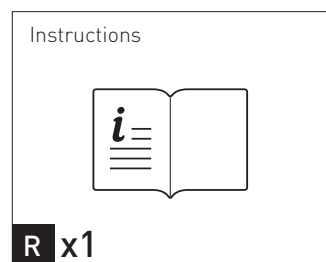
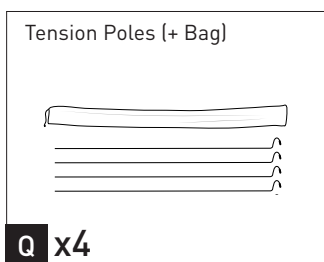
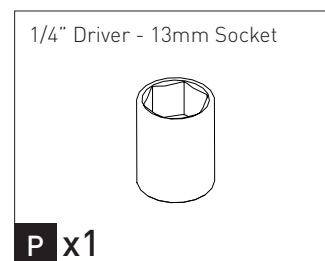
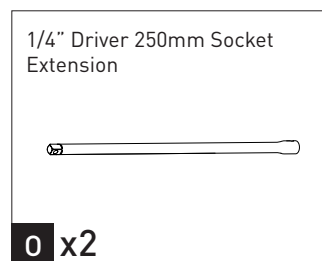
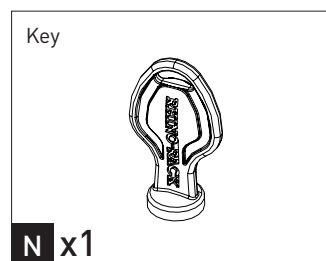
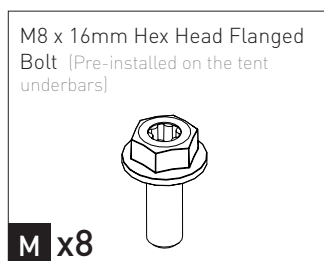
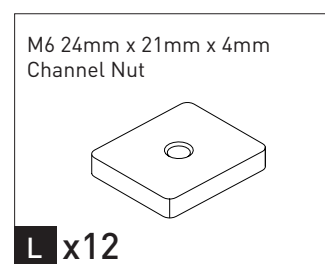
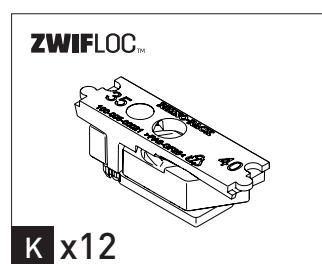
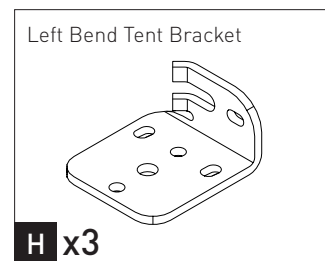
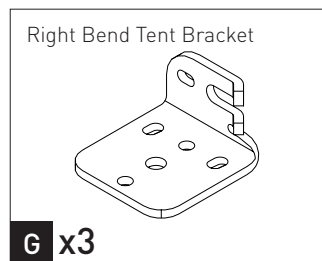
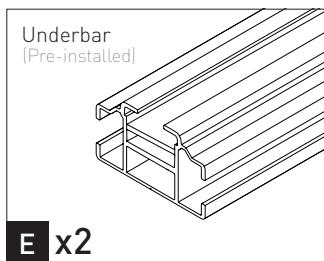
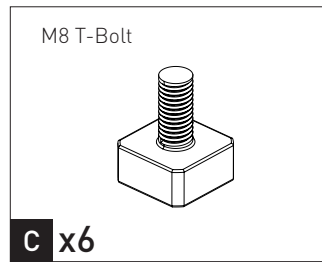
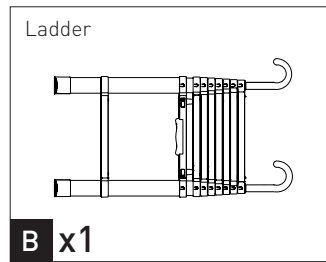
**OPENED DIMENSIONS**



**OVERVIEW**

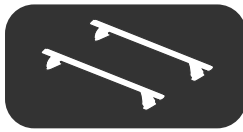
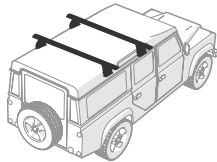
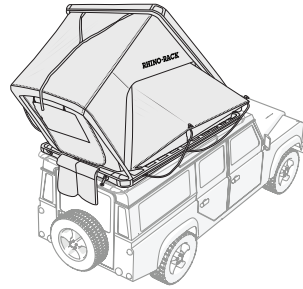


## Parts

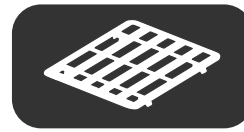
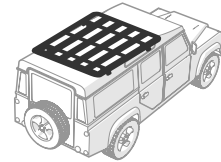
**TOOL REQUIRED:**

- T1** - T40 Torx Key
- T2** - Tape Measure
- T3** - 1/4" Socket Ratchet
- T4** - 10mm Spanner
- T5** - 2 x Step Ladders
- T6** - USB-A Powerbank (optional for included LED light bar)
- T7** - 1/4" Driver - 13mm Socket (additional)

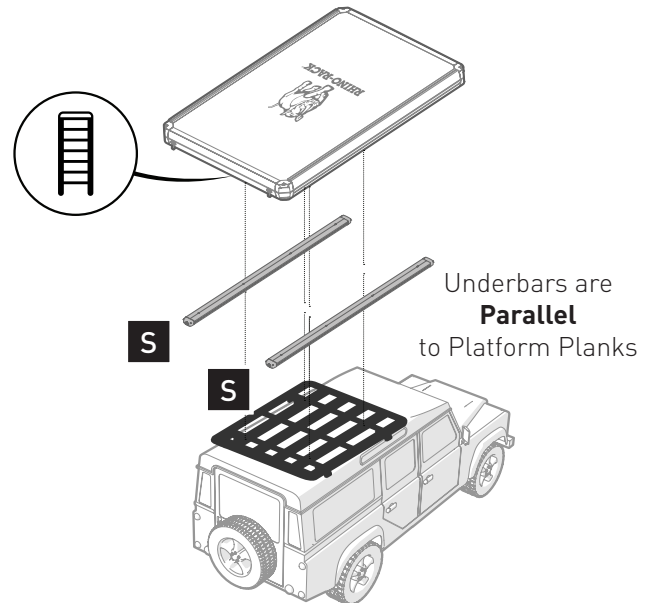
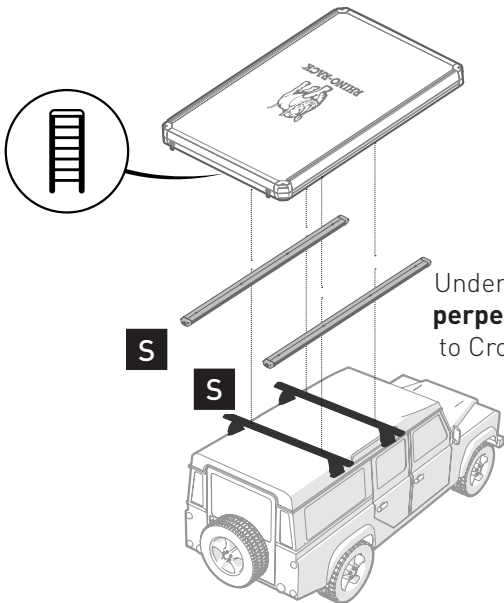
# MOUNTING METHOD



**CROSS BARS**

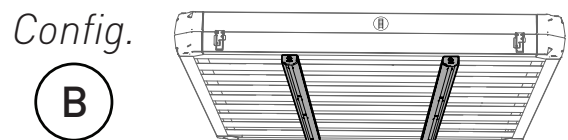
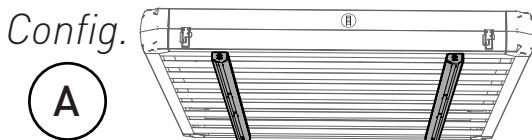


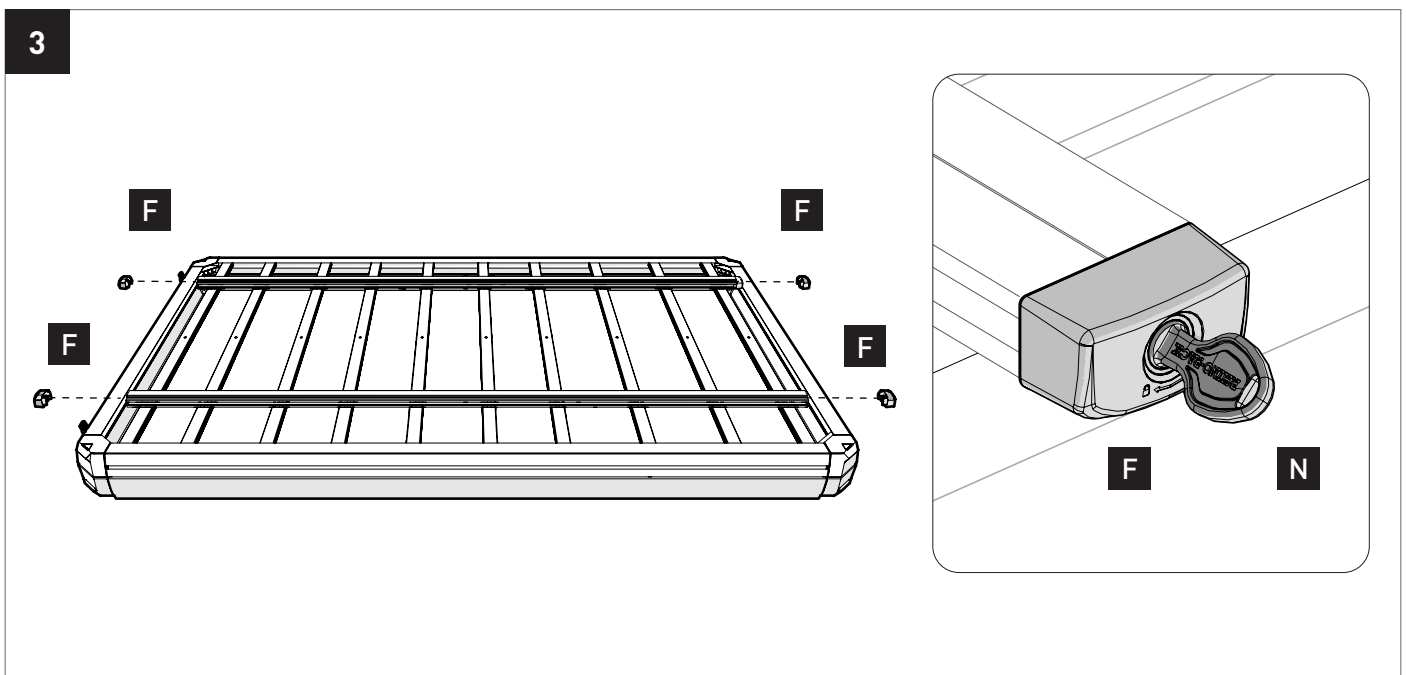
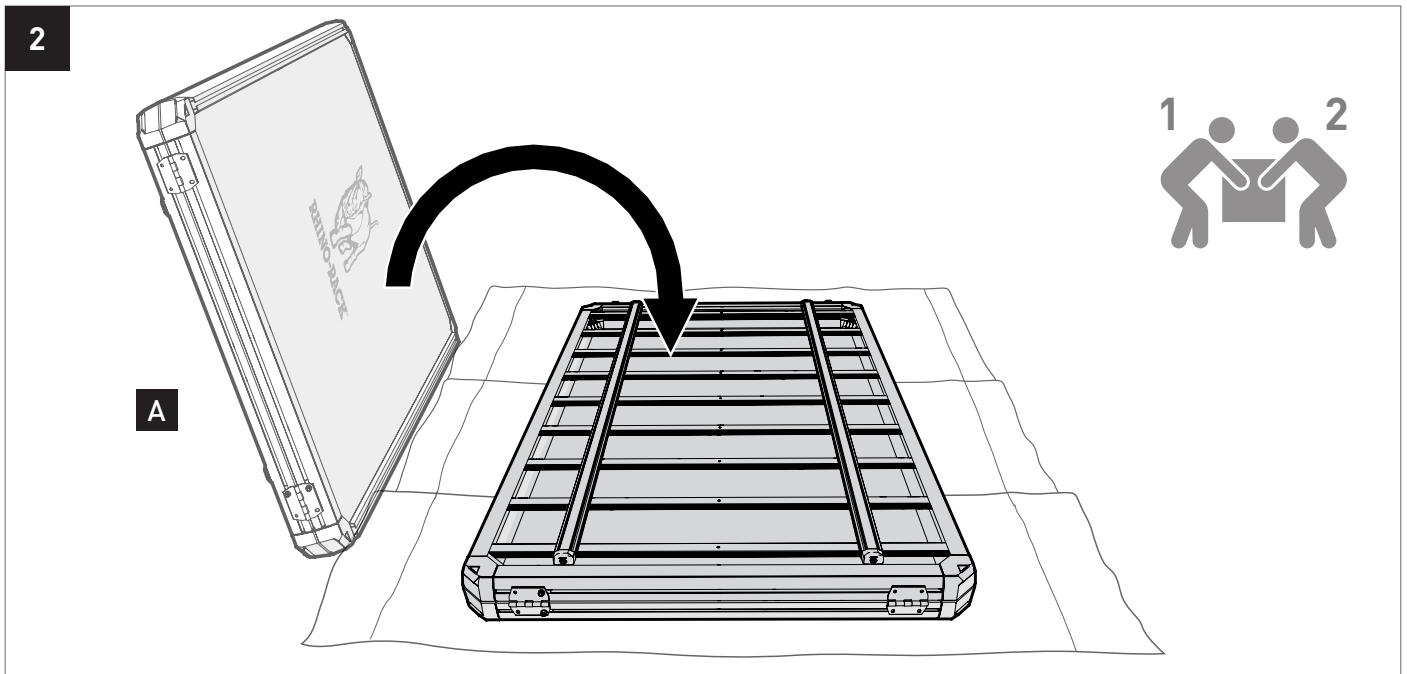
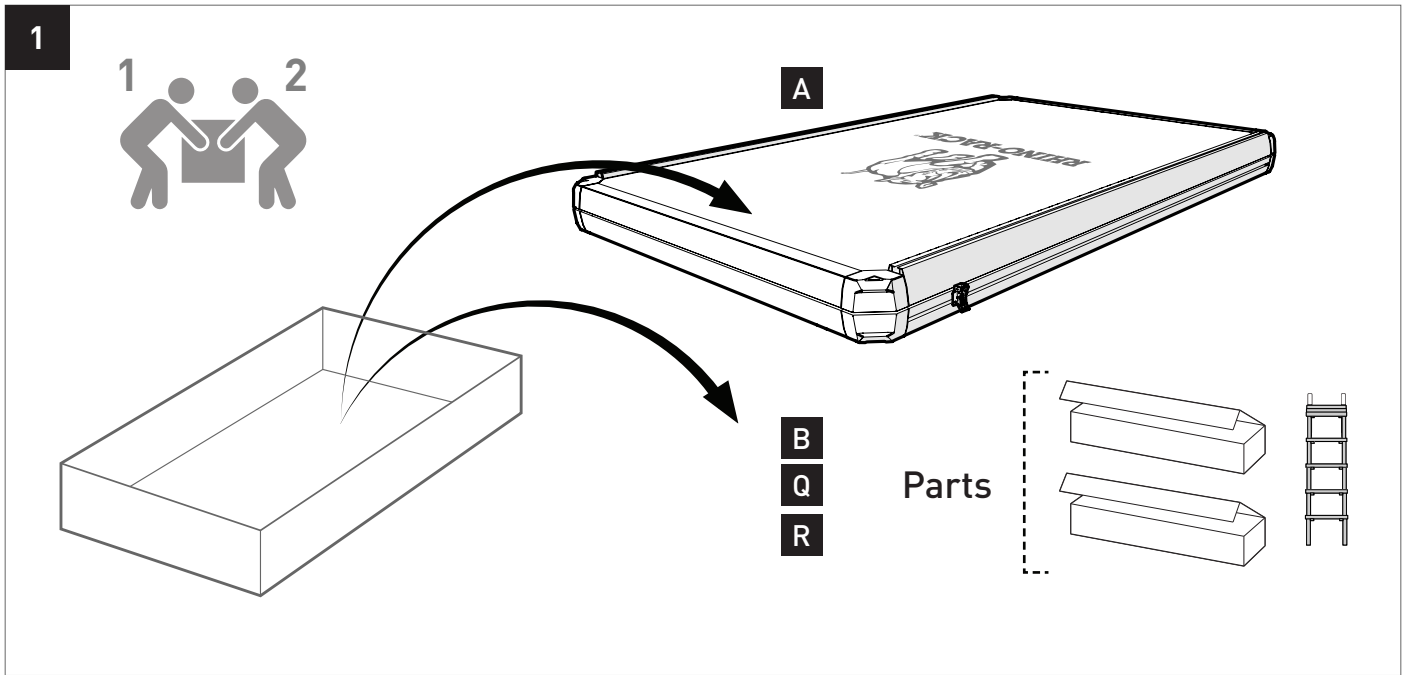
**PLATFORM**



The underbars are **pre-installed** for Crossbar attachment.

For Pioneer platforms, you may be required to reposition the underbars.  
**Refer to Page 9.**





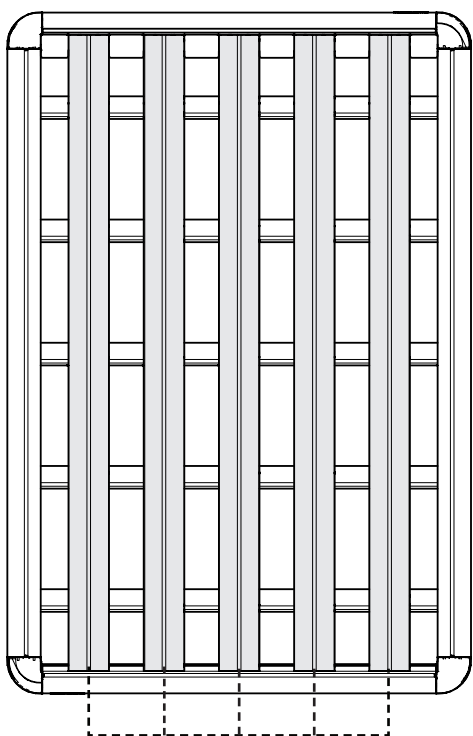


## FOR PLATFORMS (For Cross Bars, Skip to Step 9)

### INSTALLATION **PIONEER**

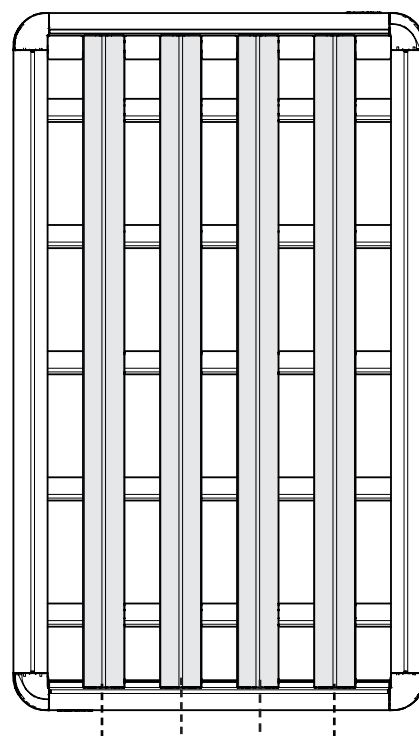
4

**IMPORTANT:** Depending on whether your **Pioneer** Platform has an **ODD** or **EVEN** number of slats, the required **Underbar Configuration** will vary.



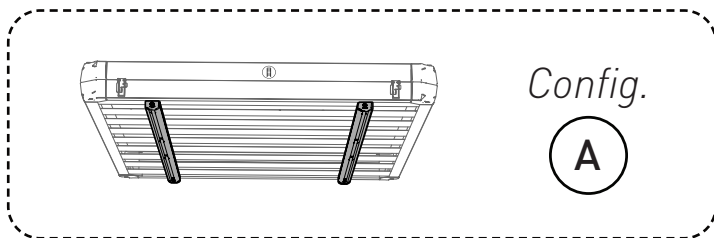
**5 PLANKS**

DESCRIPTION		
62112	62113	62106
62115	62108	62105
62110	62114	62104
62111	62103	62101

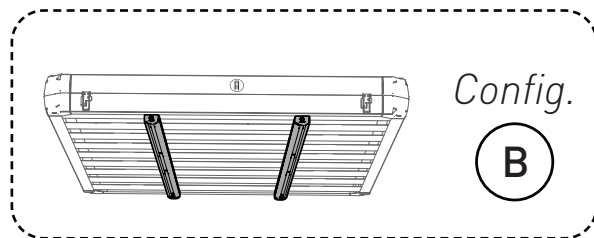


**4 PLANKS**

DESCRIPTION
62109
62100
62102
62107

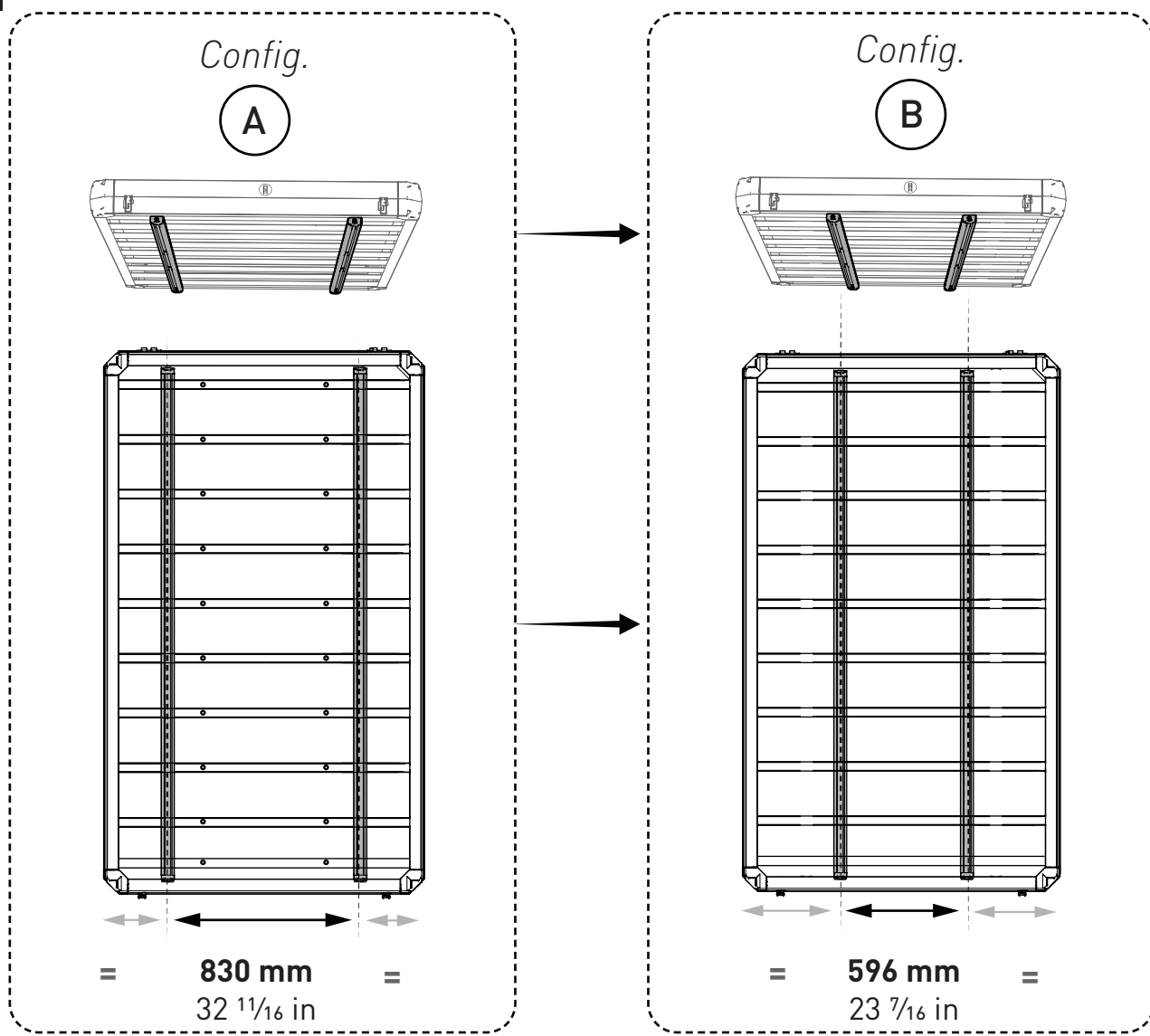


**SKIP TO STEP 9 .**  
The configuration of underbars that come in the box is correct.

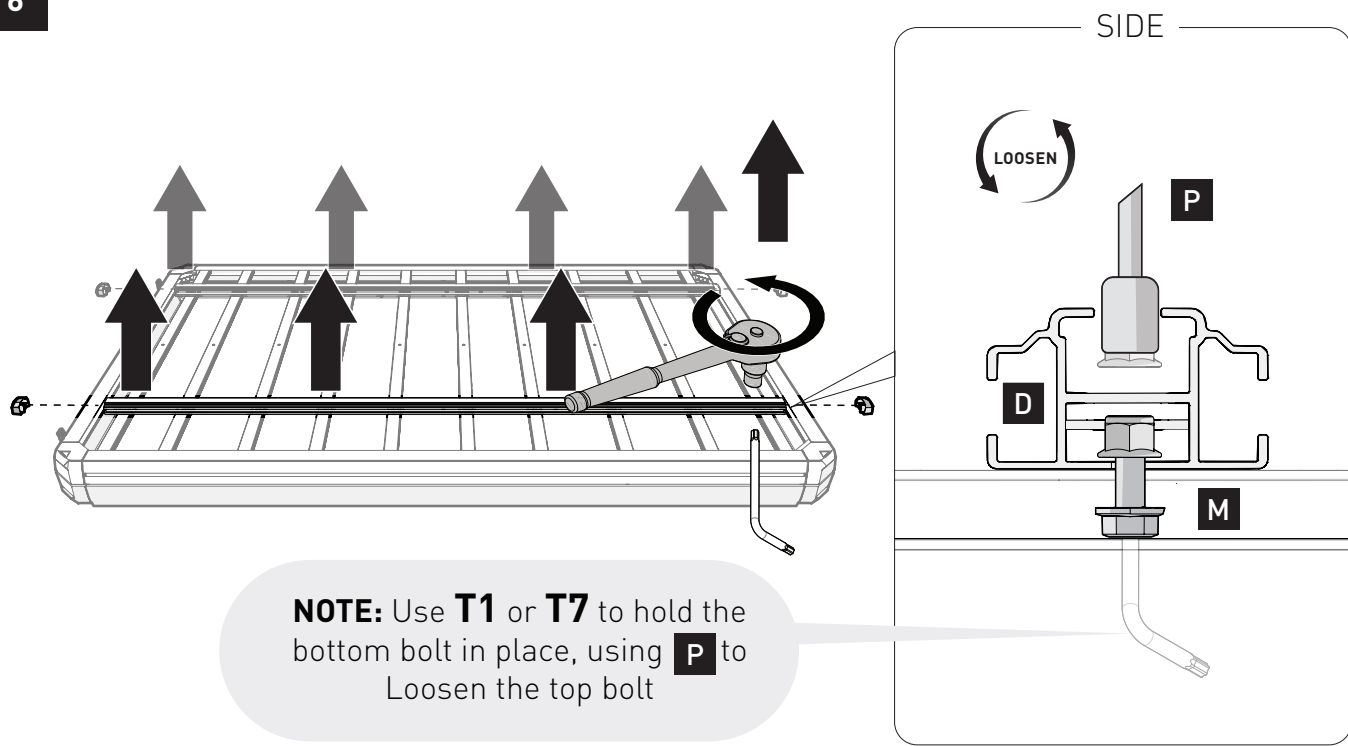


**PROCEED TO STEP 5 .**  
Underbar configuration is incorrect  
Proceed to next step

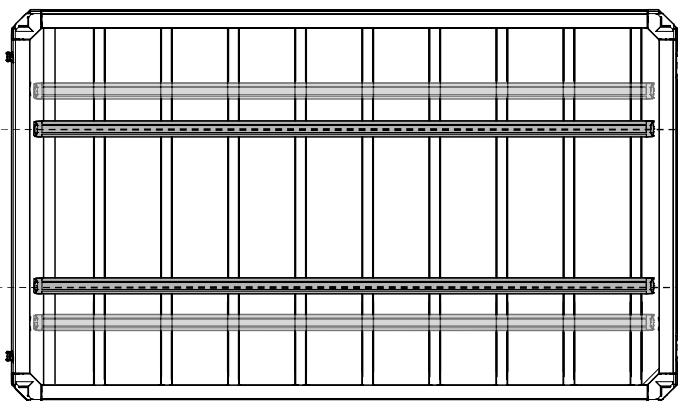
5



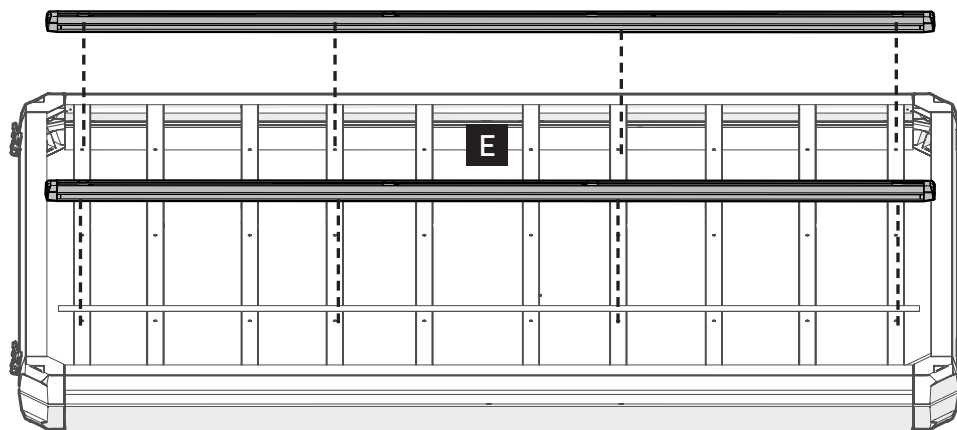
6



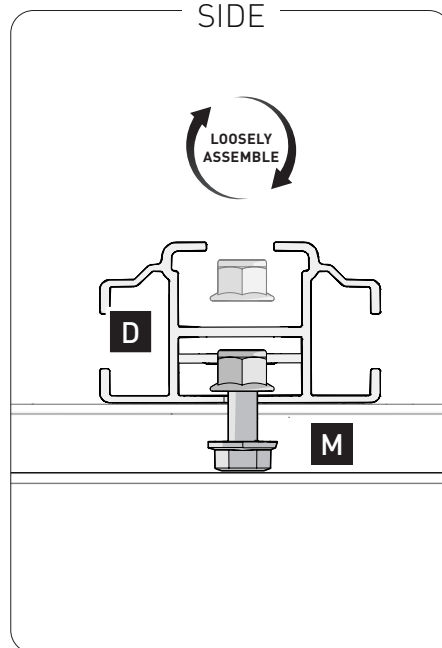
7



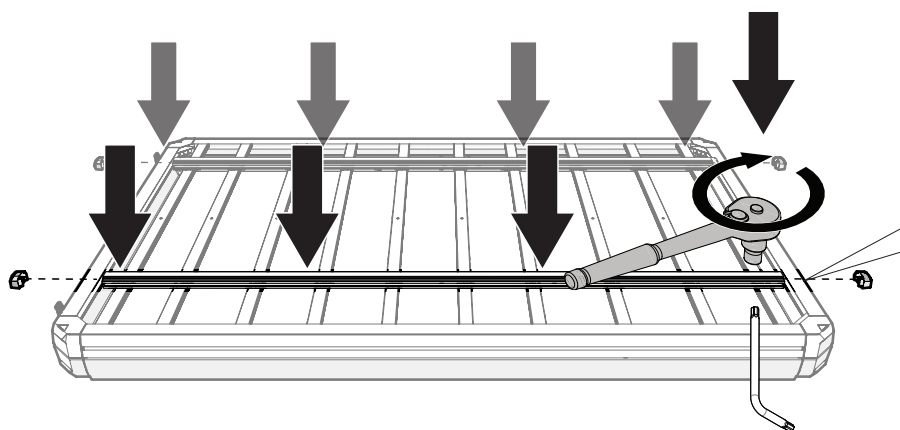
E



SIDE

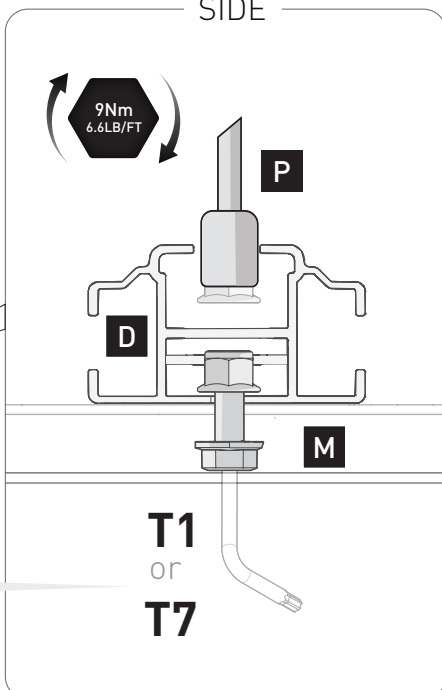


8

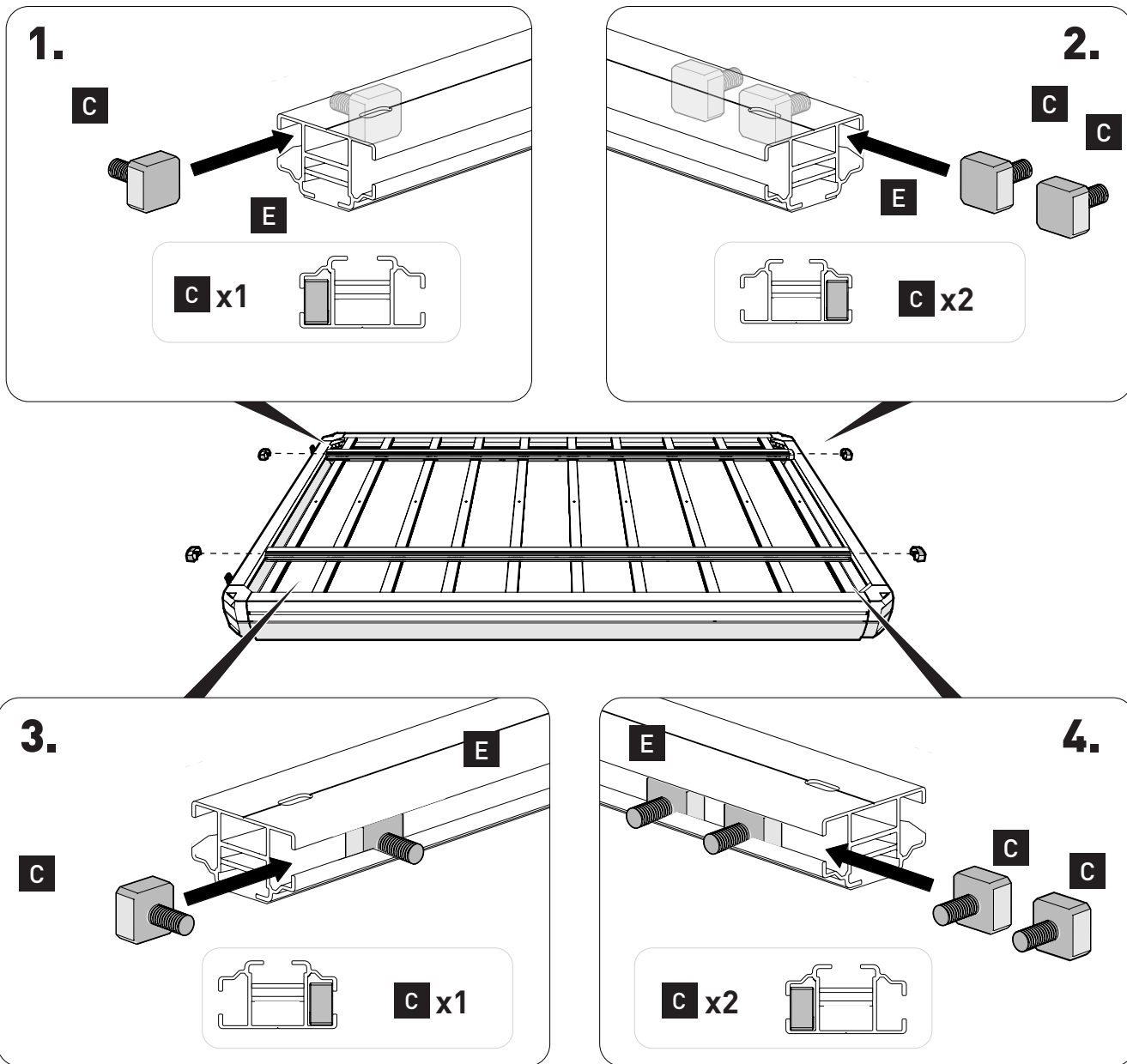


**NOTE:** Use **T1** or **T7** to hold the bottom bolt in place, using **P** to tighten the top bolt

SIDE

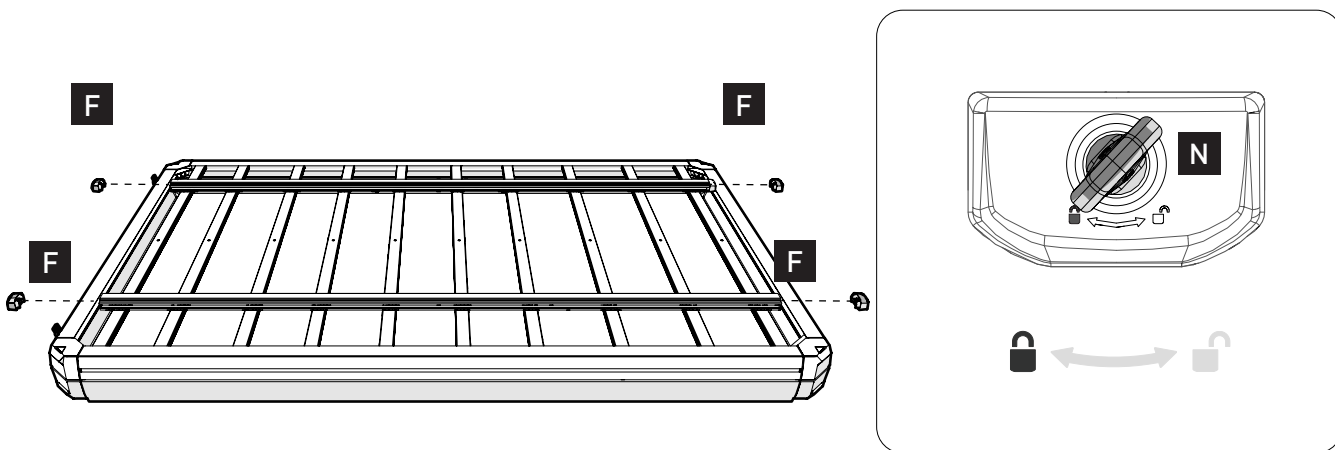


**9** FOR PIONEERS, AND FOR 3 CROSSBAR CONFIGURATIONS:

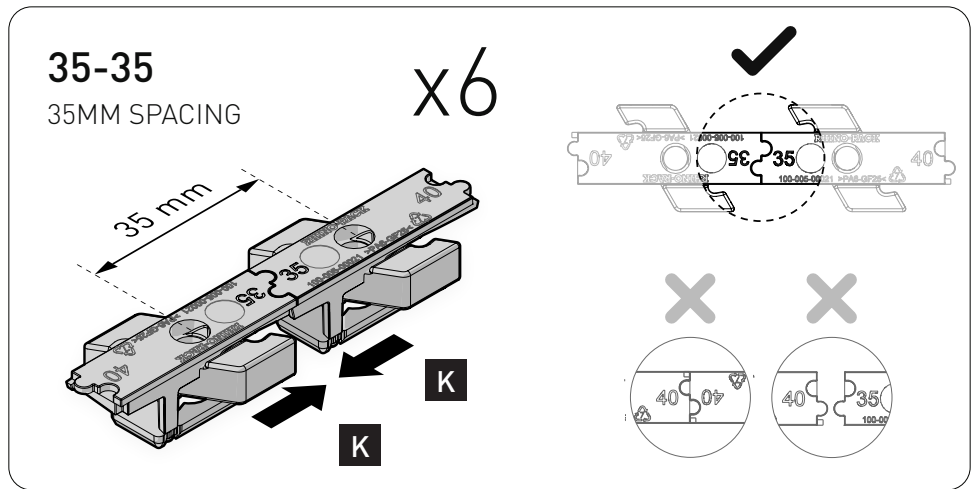


FOR 2 CROSSBAR SETUPS, ONLY 2x **C** ARE REQUIRED PER UNDERBAR.

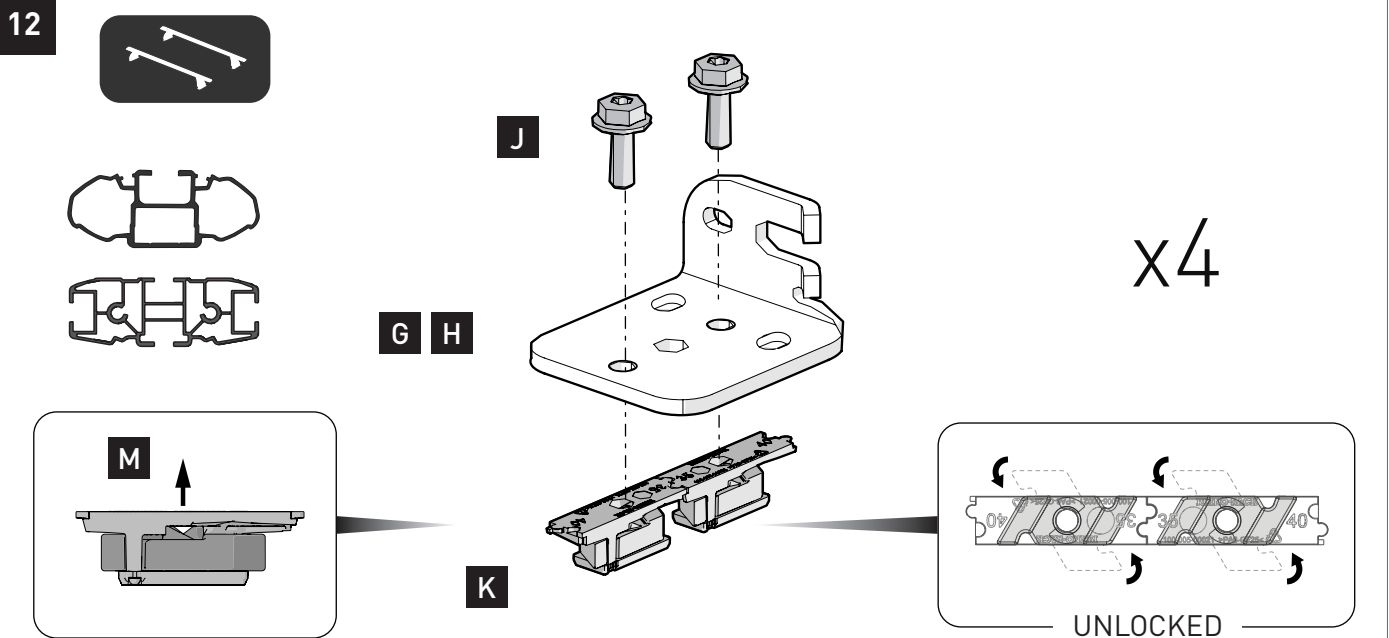
**10**



**11** FOR PIONEERS, SPORTZ AND RECONN-DECK BARS:

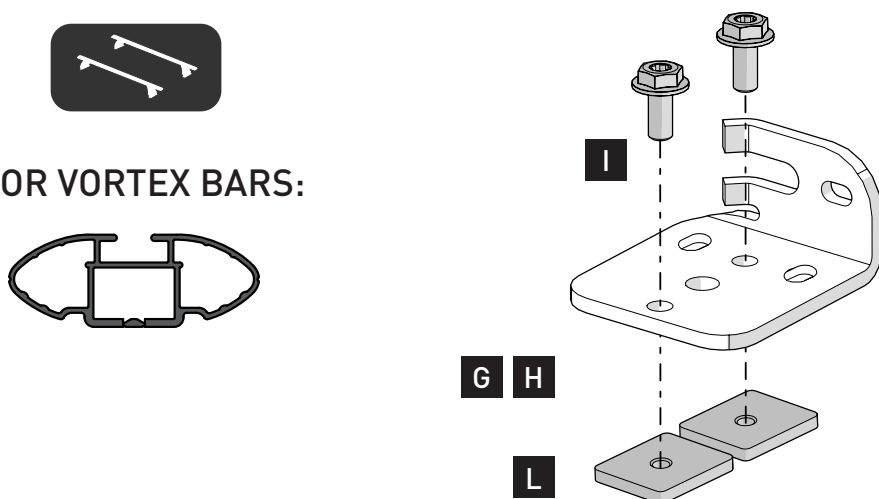


FOR CROSS BARS (For Platforms, Skip to **Step 14**)



OR

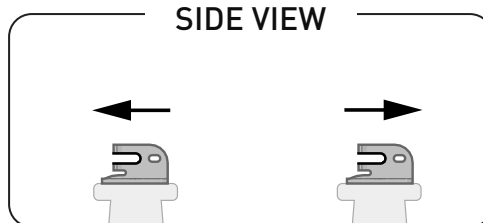
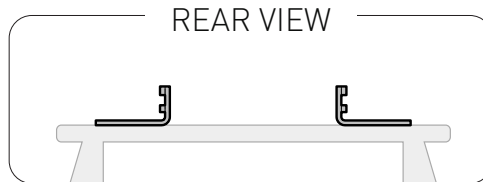
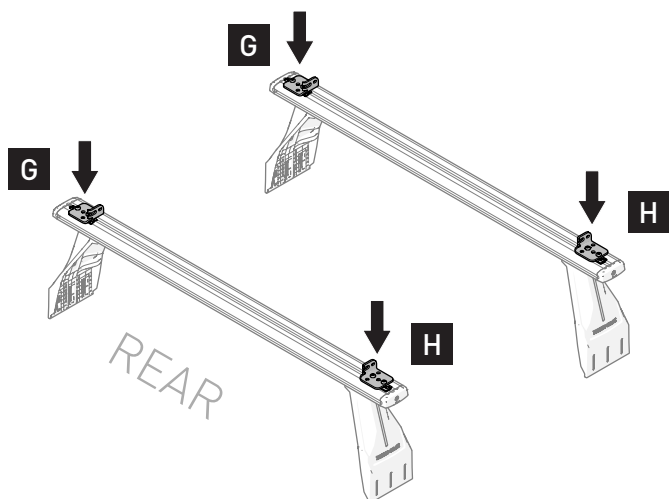
FOR VORTEX BARS:



13



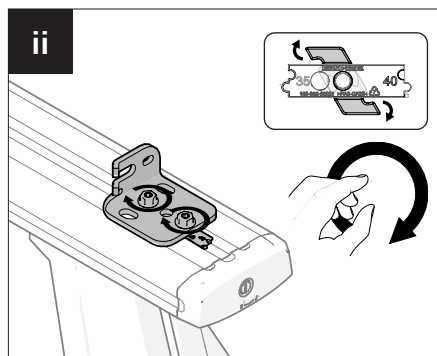
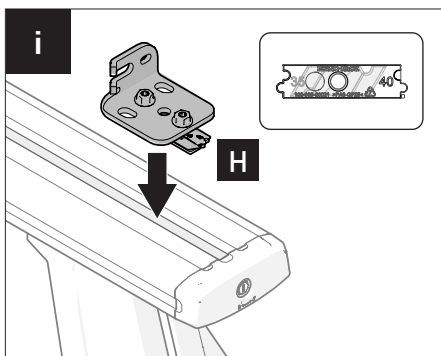
**FOR CROSS BARS** (For Platforms, Skip to **Step 14**)



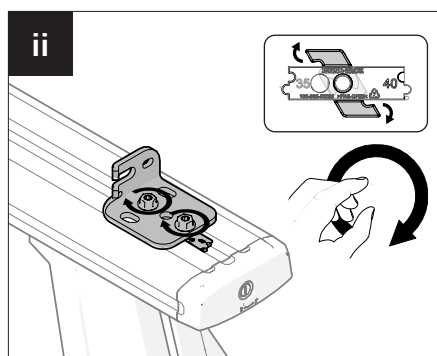
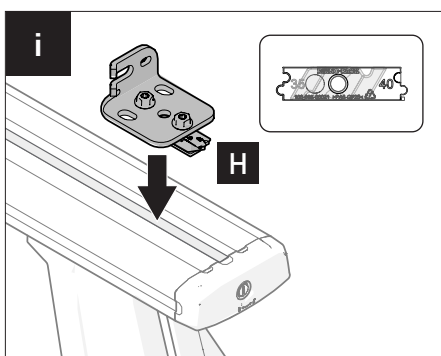
**U-shape** to face **OUTSIDE**

**NOTE:** Keep left over Brackets **H G**  
Store in a safe place.

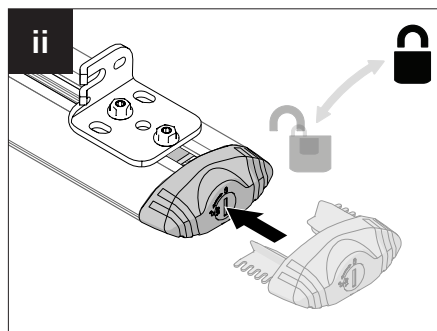
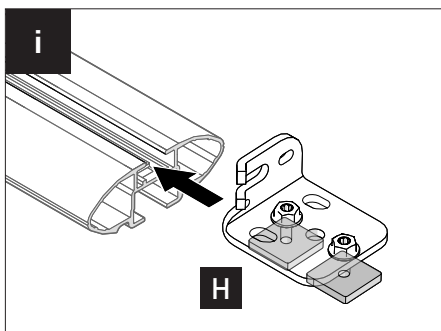
**FOR RECONN-DECK:**



**FOR SPORTZ BARS:**



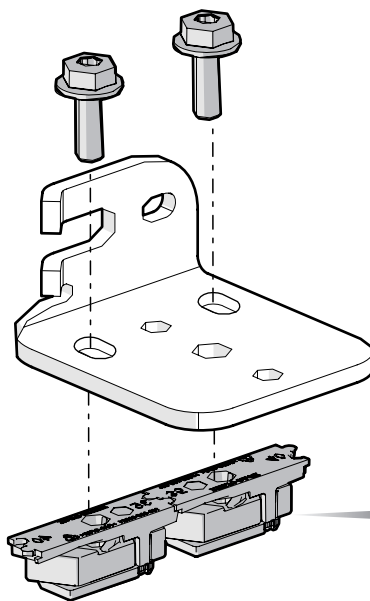
**FOR VORTEX BARS:**



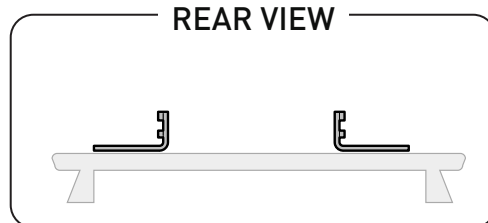
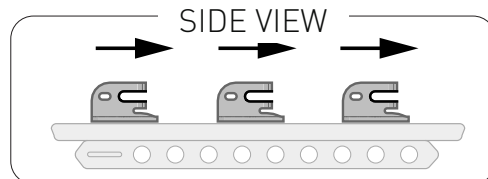
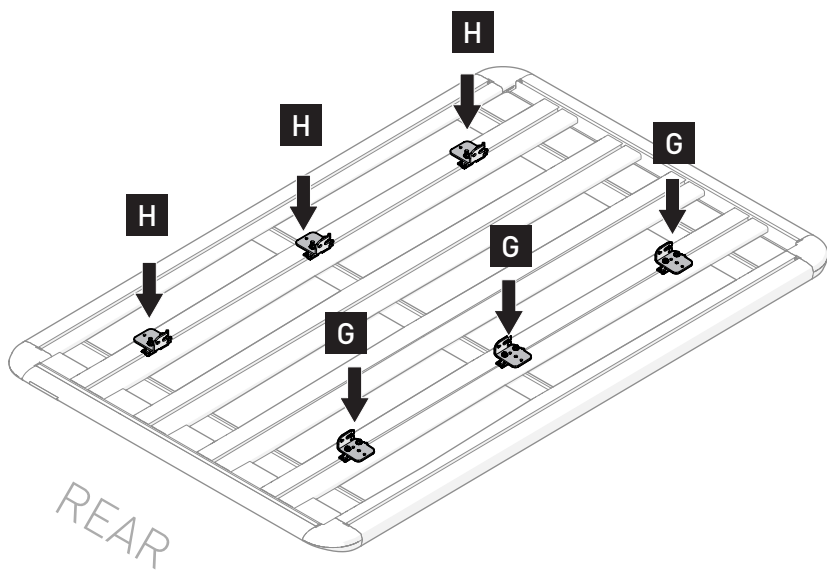
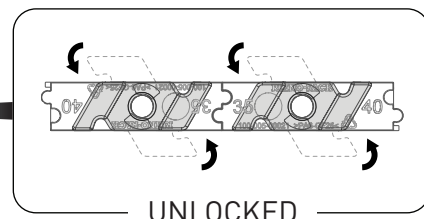
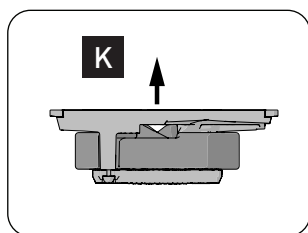
14



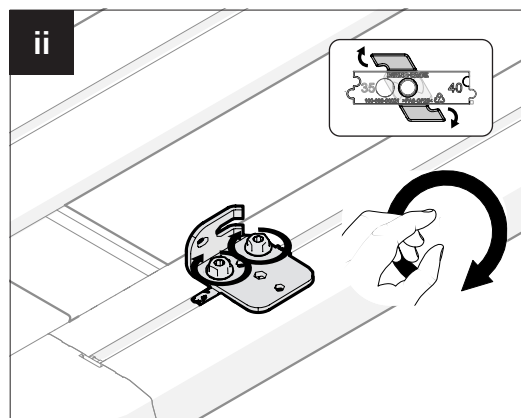
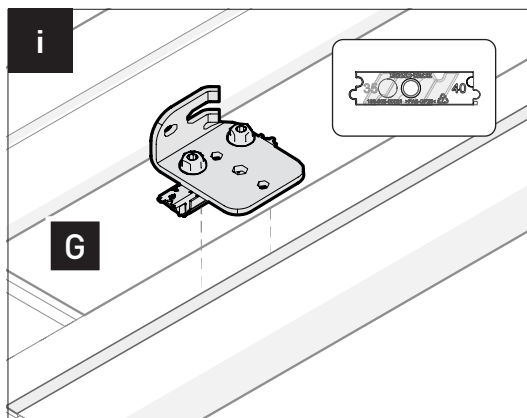
# FOR PLATFORMS (For Cross Bars, Skip to **Step 16**)



x6

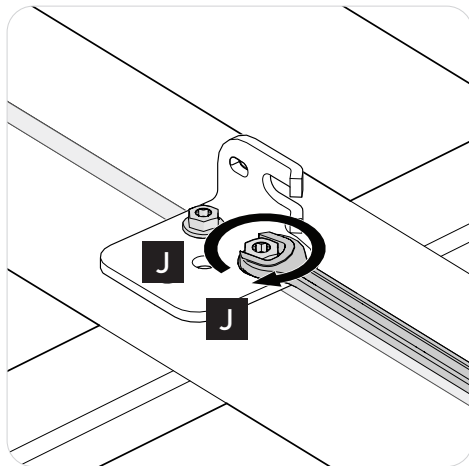
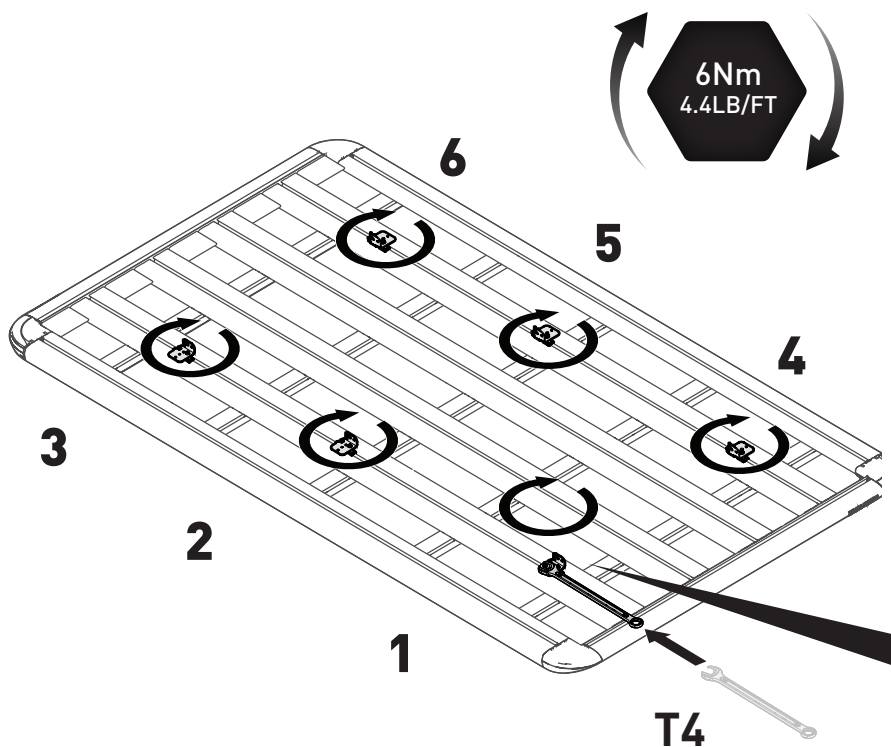


*U-shape to face OUTSIDE*

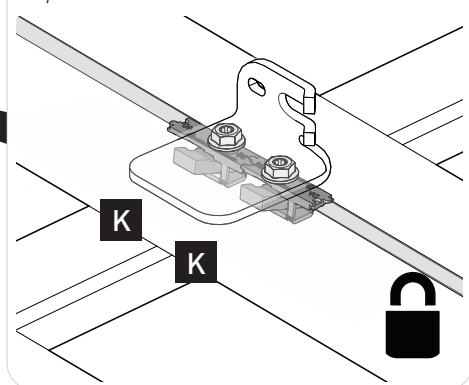


Step continues to the **next page**.

15

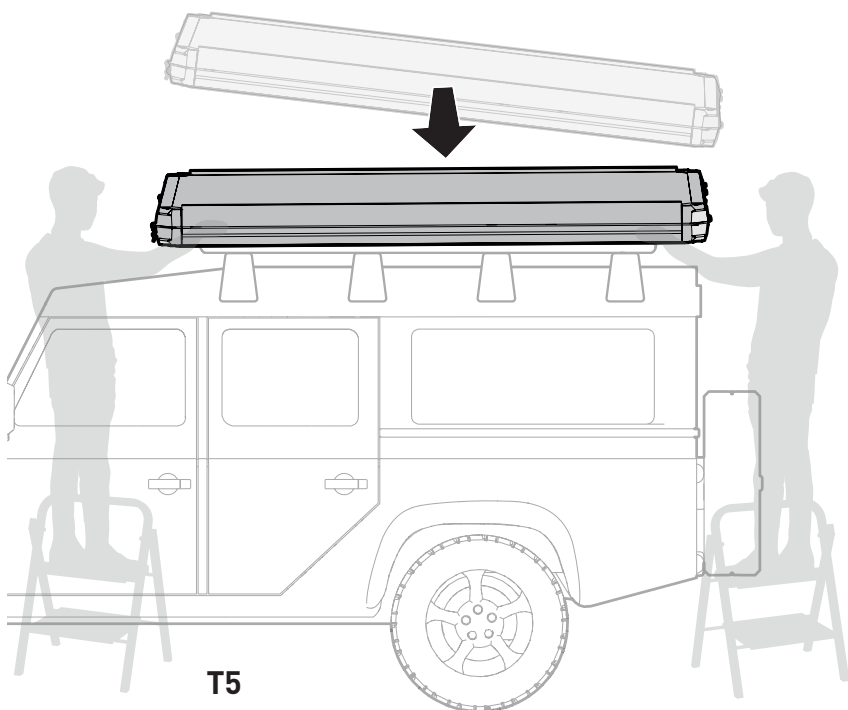


For Pioneer Platforms, Recon Deck & Sportz Bars

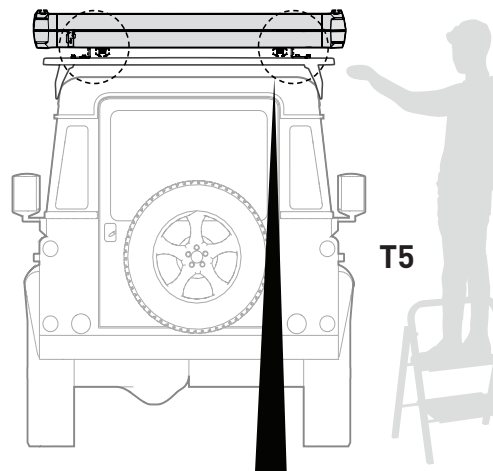


16

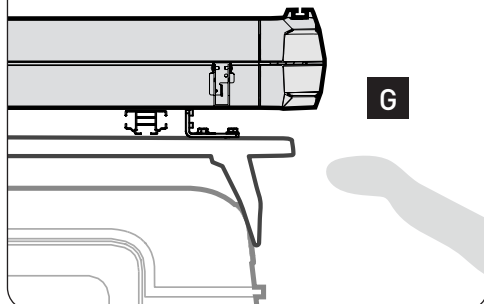
SIDE VIEW:



REAR VIEW:

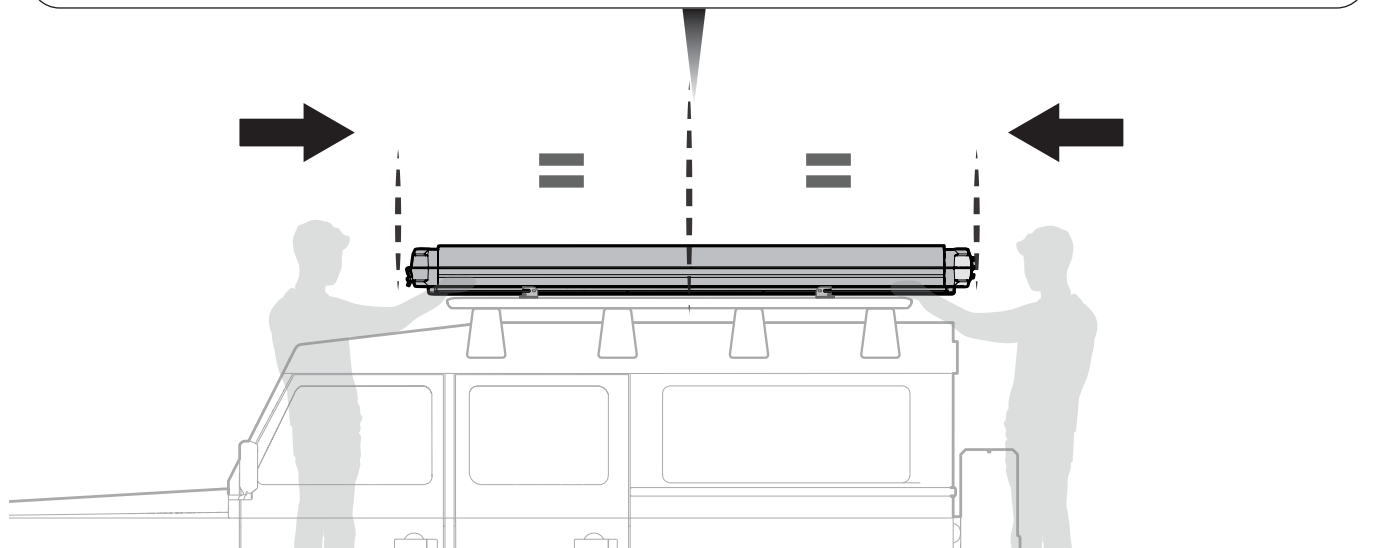
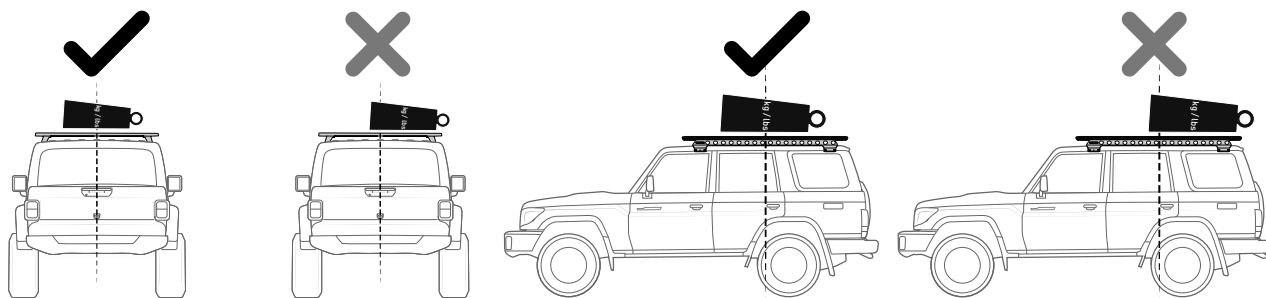


Brackets sit outboard from underbars

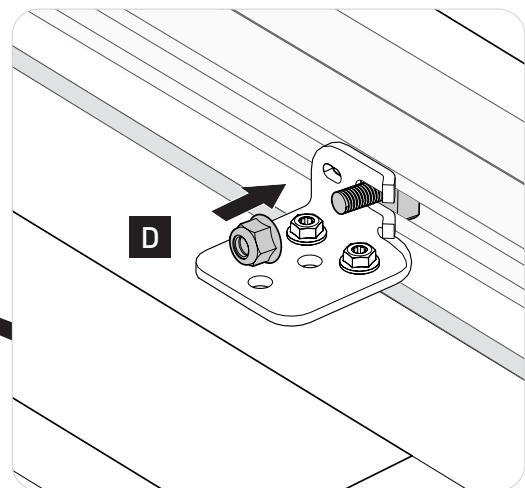
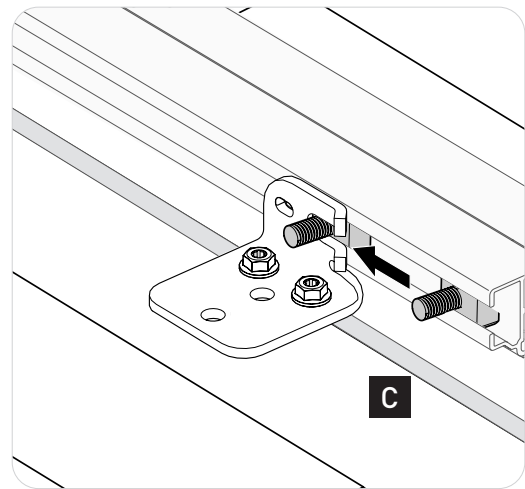
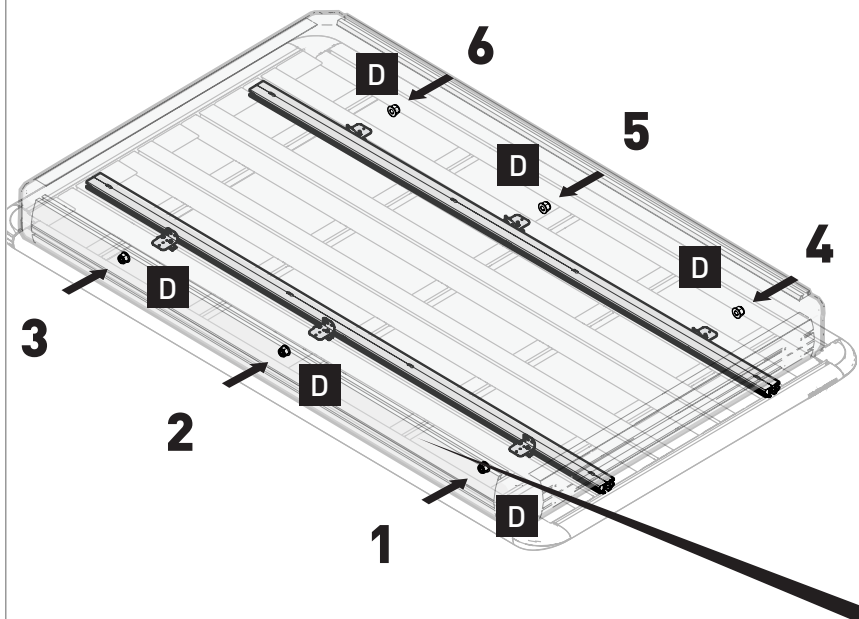


17

Distribute the tent to the centre of the roof rack system. Avoid point loads concentrated at the front or rear.

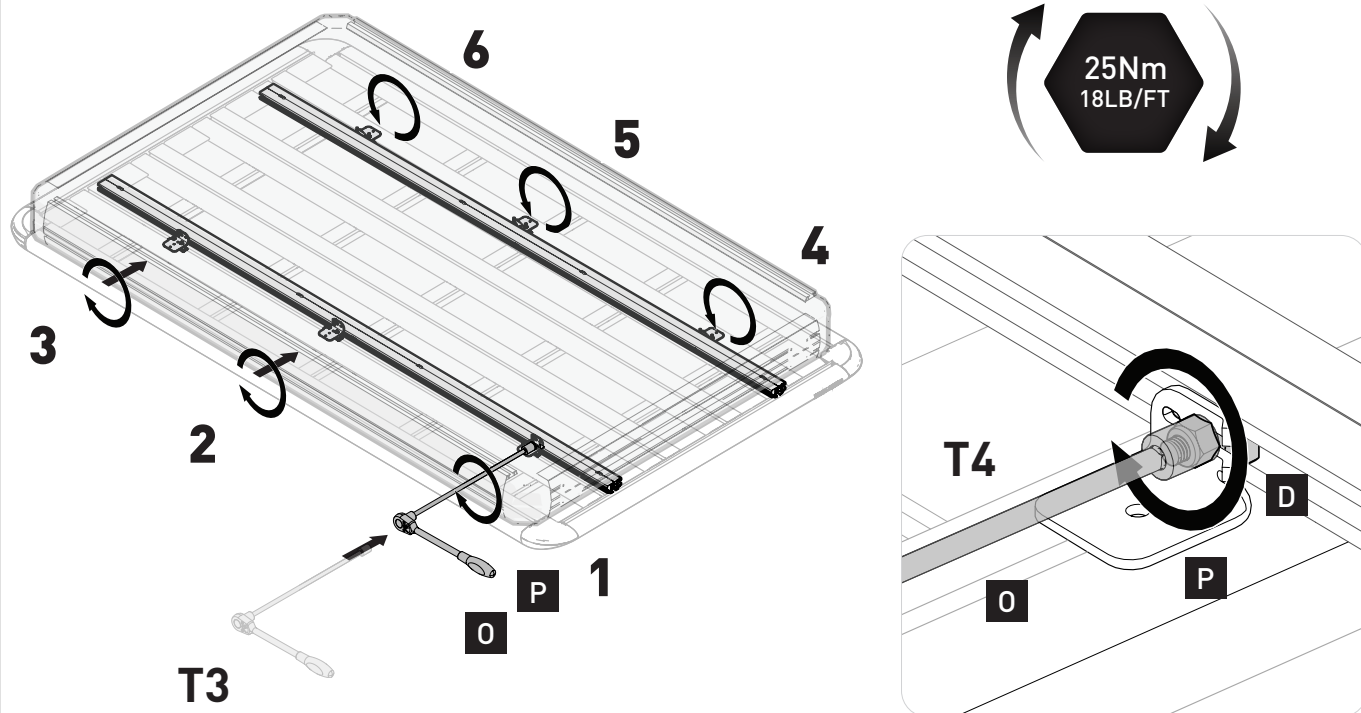


18



NOTE: Example depicts Pioneer Platforms. Also applies to Cross Bars

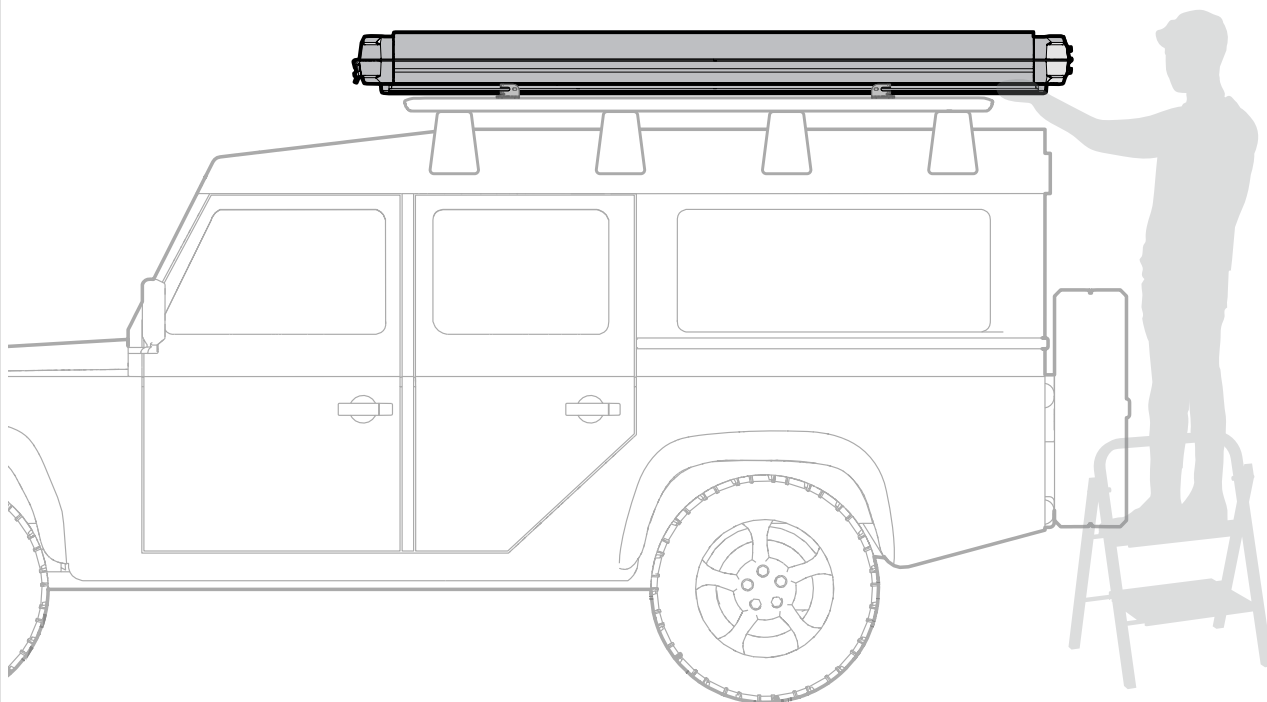
19



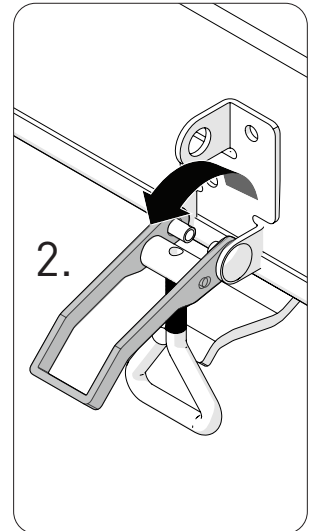
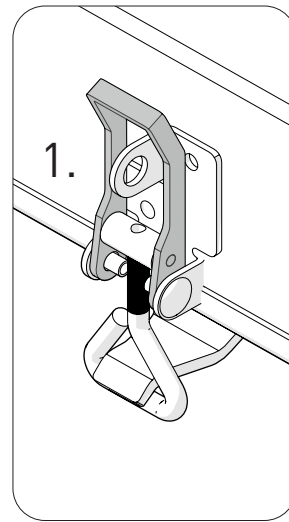
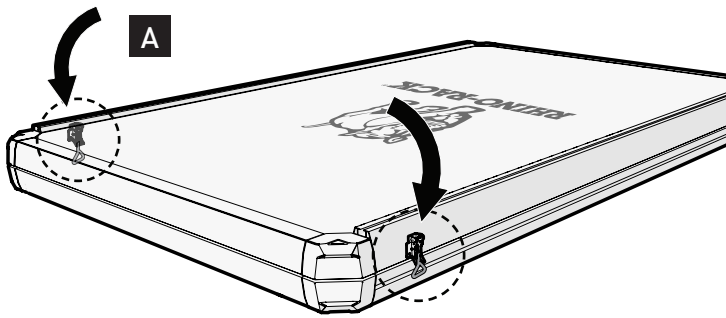
NOTE: Example depicts Pioneer Platforms. Also applies to Cross Bars

20

CHECK FITMENT IS SECURE

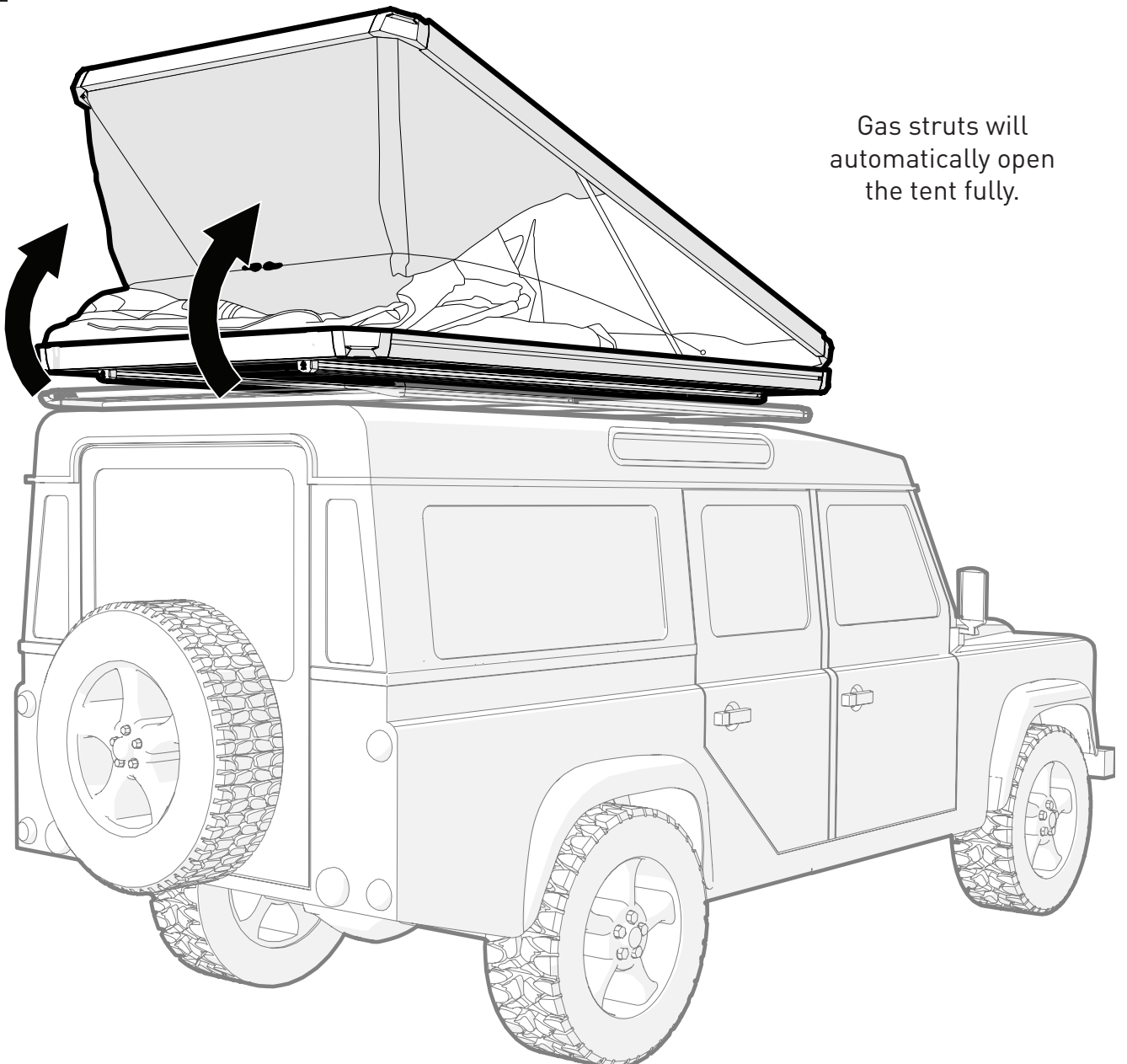


21

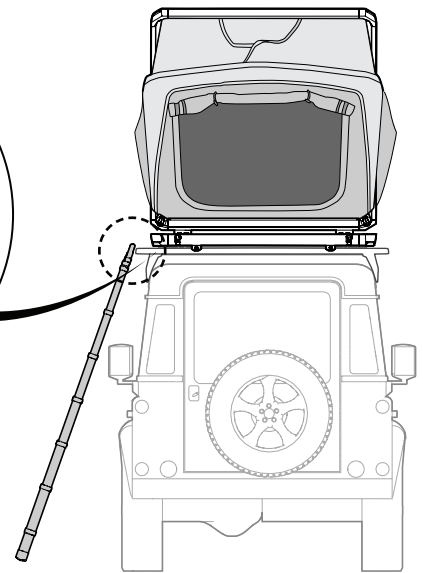
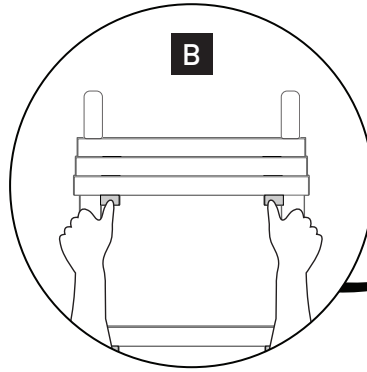
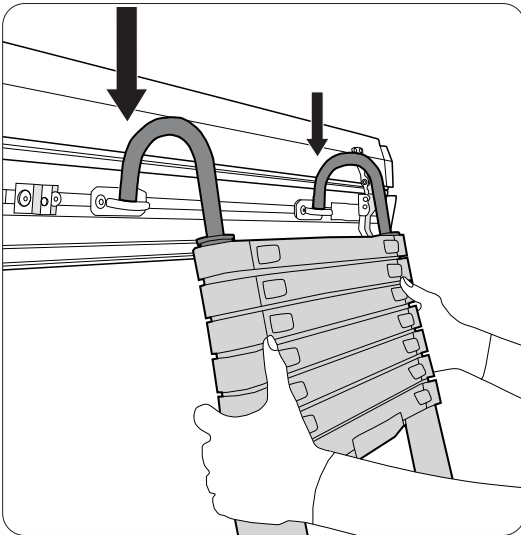


UNLATCH

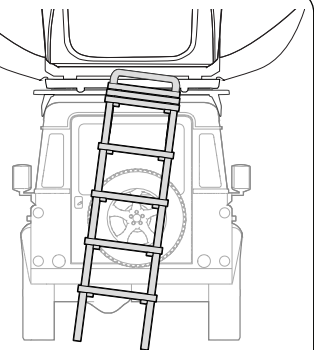
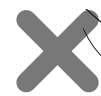
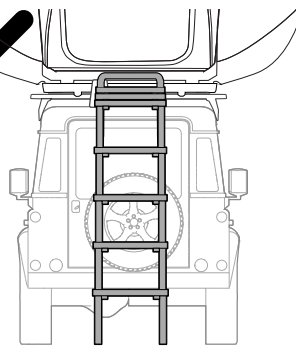
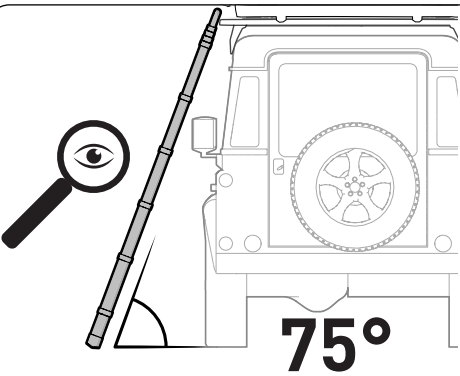
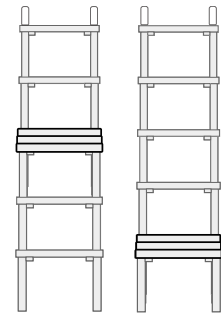
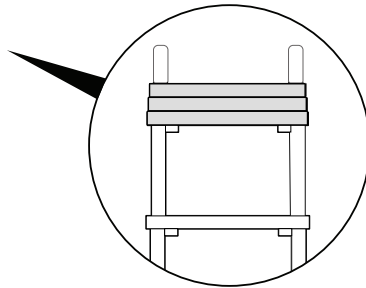
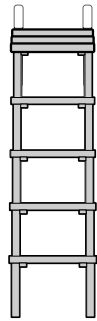
22



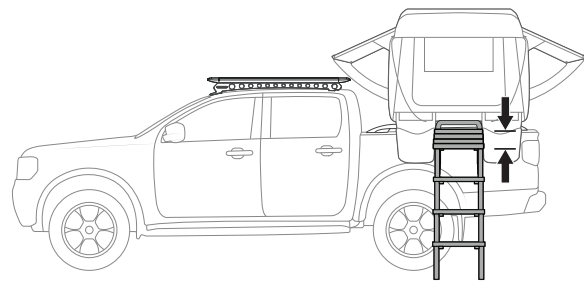
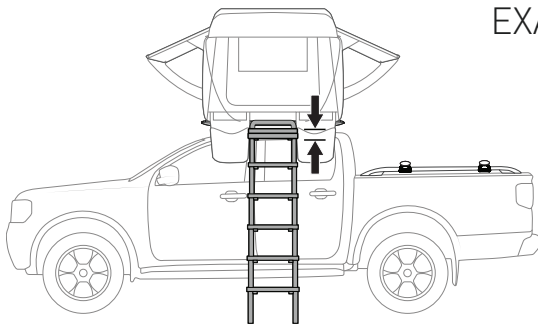
Gas struts will automatically open the tent fully.



Collapse ONLY the top-most ladder rungs.

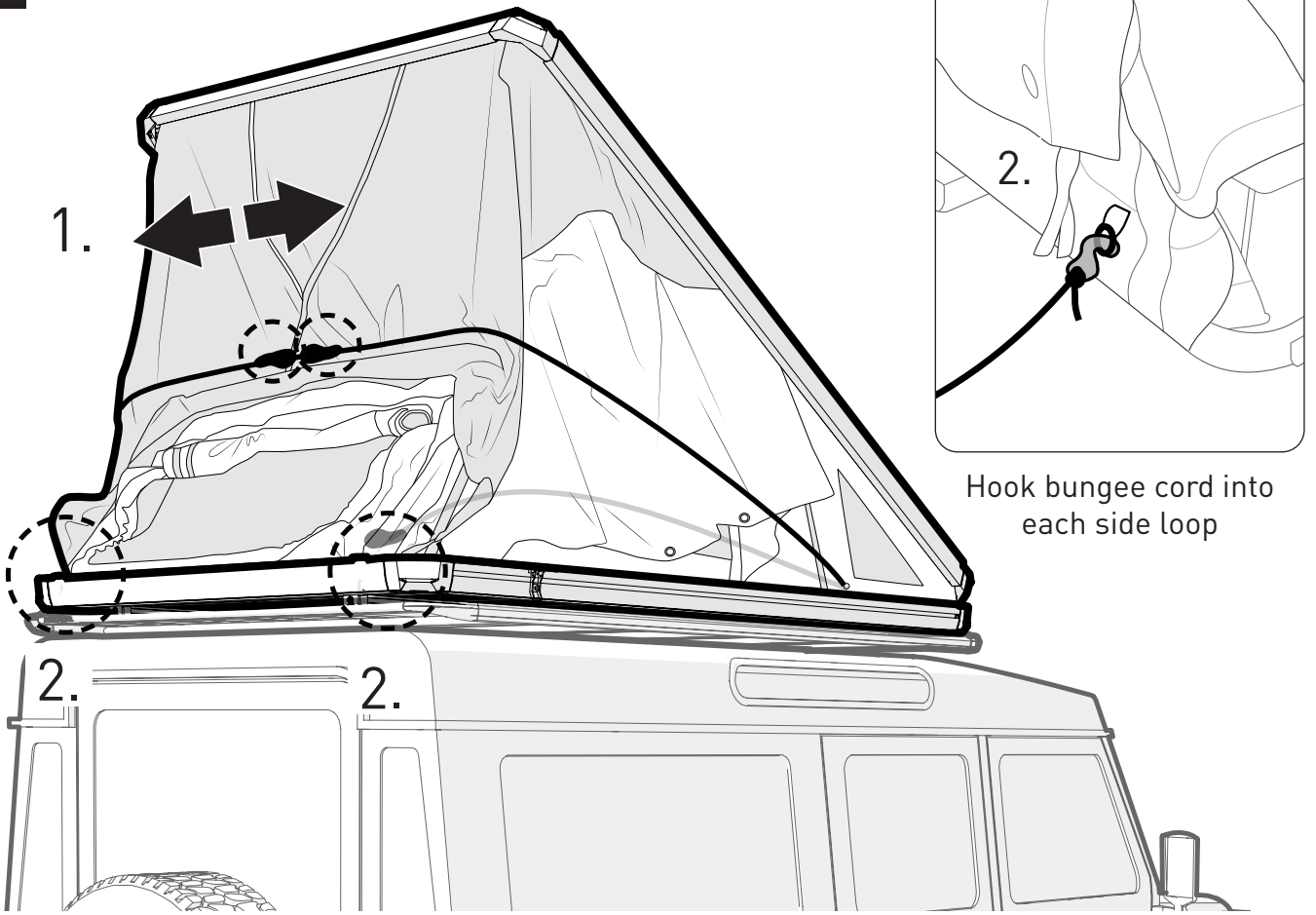


EXAMPLES:

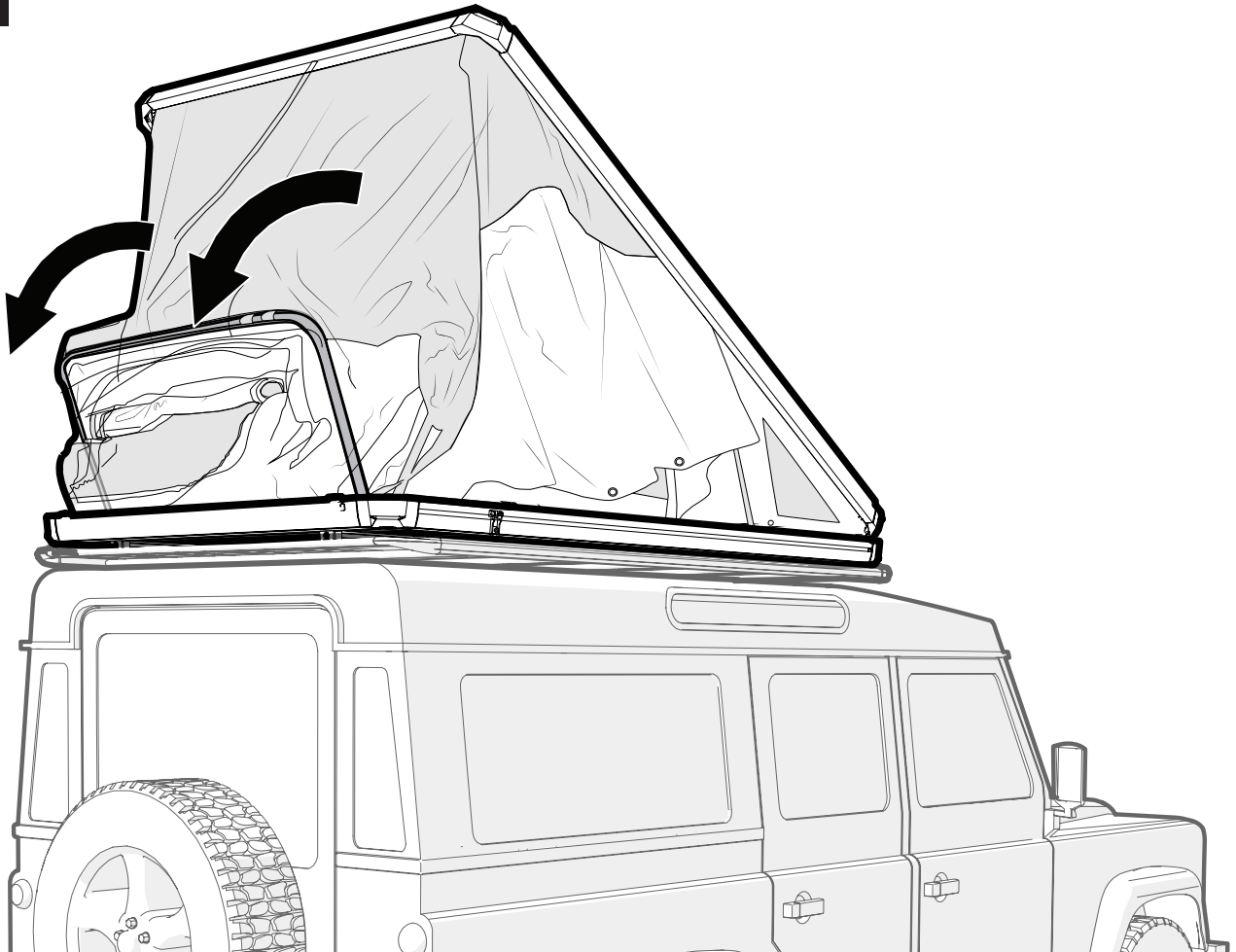


When adjusting the height of the ladder, make sure that it is securely fastened with a "click"  
**CHECK LADDER RUNGS ARE LOCKED IN PLACE BEFORE ATTEMPTING TO CLIMB LADDER**

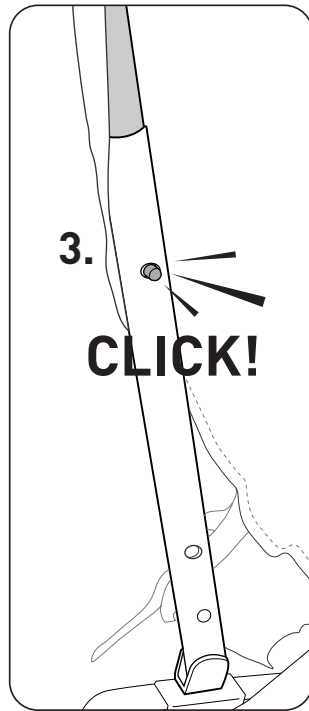
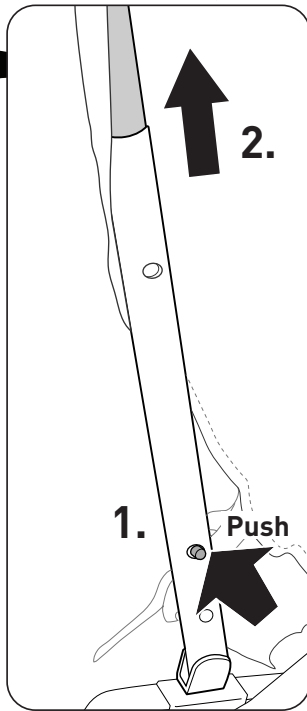
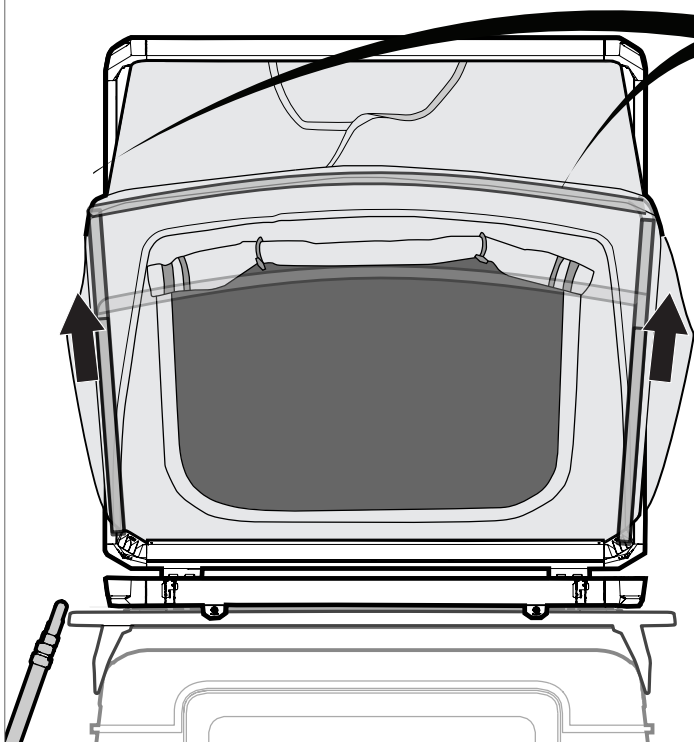
24



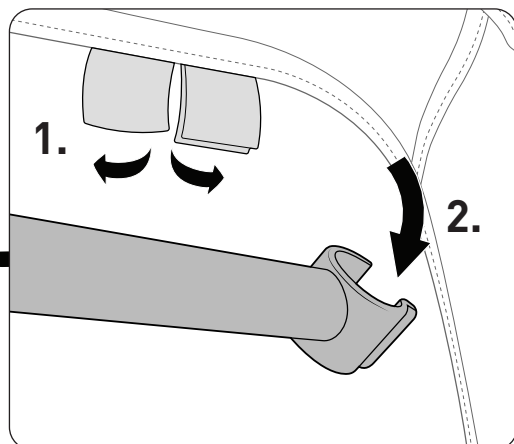
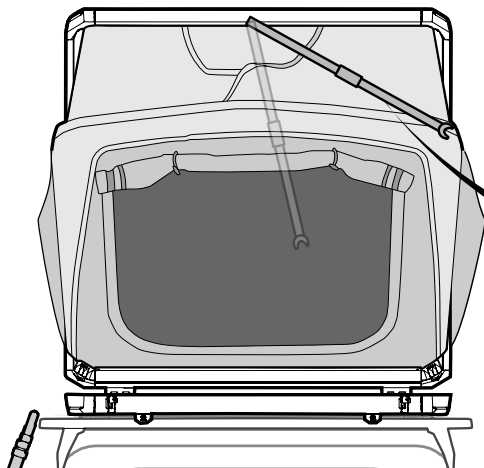
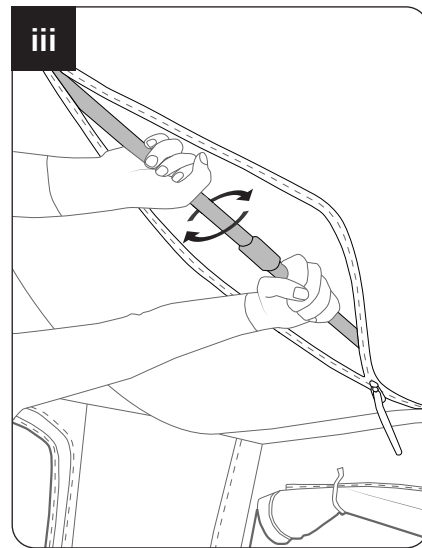
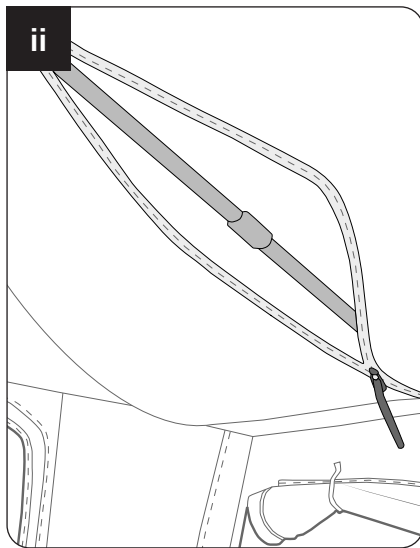
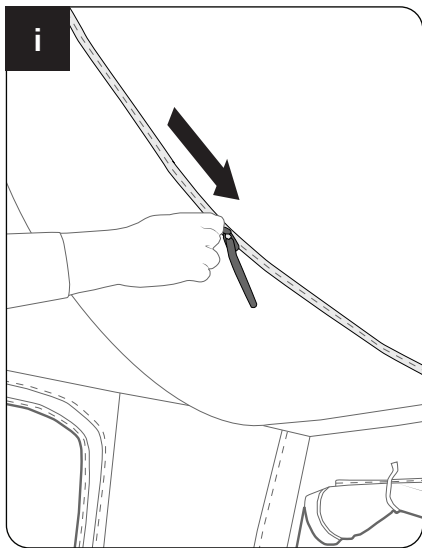
25



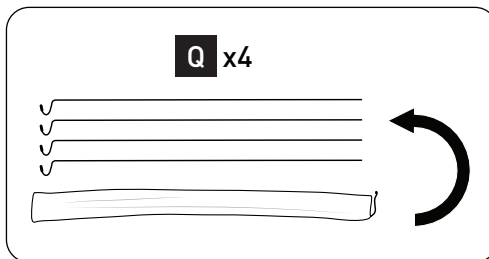
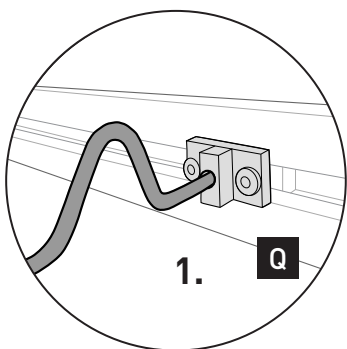
26



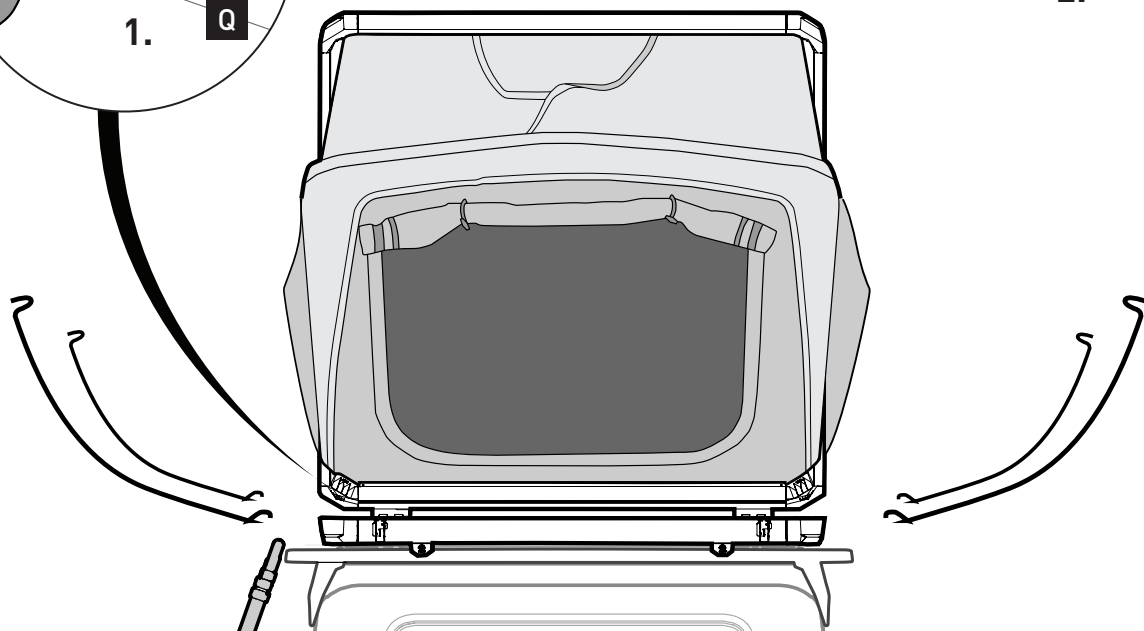
27



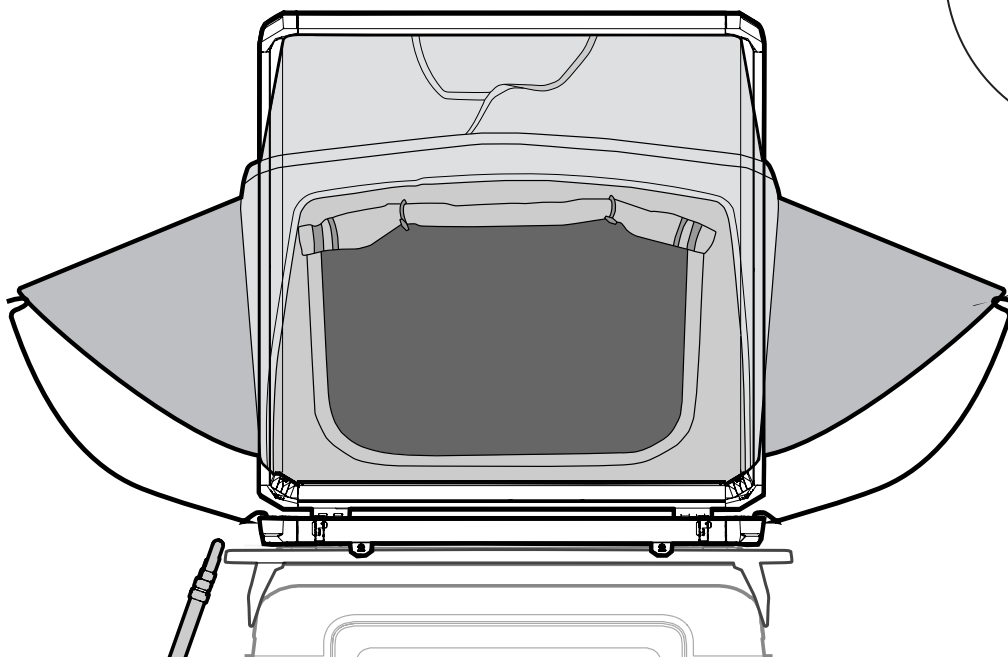
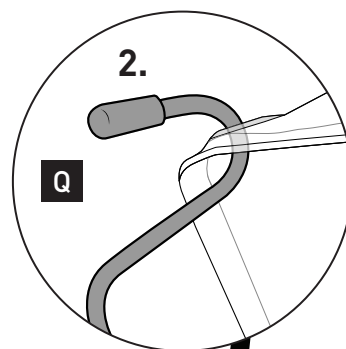
28



2.

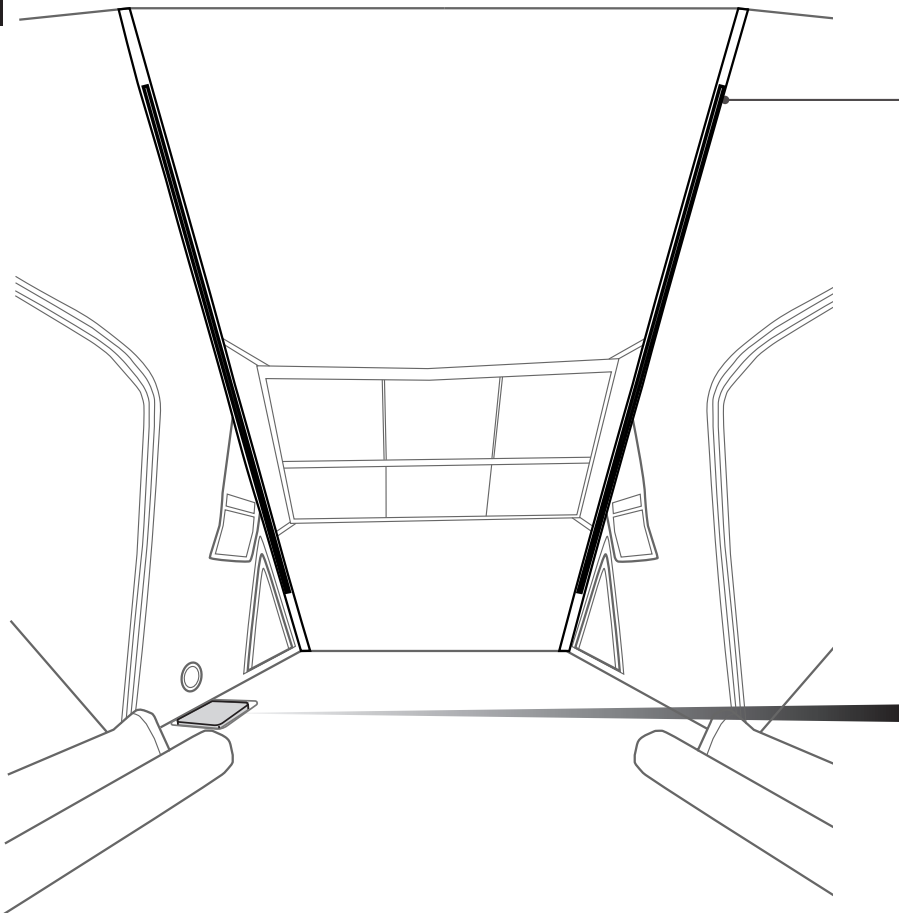


29



### TENT USAGE: LED LIGHT BAR

30



Tent comes equipped with an internal light bar.

Light bar attaches onto corner hooks.



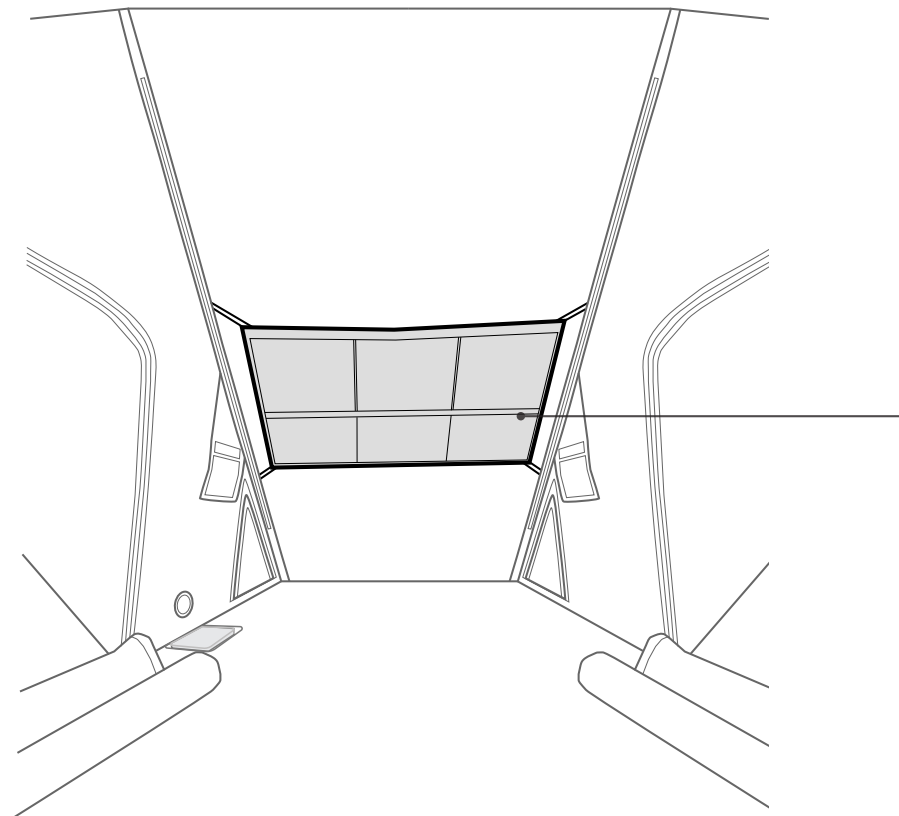
**T6**

**Portable  
USB-A Power  
Bank**



### TENT USAGE: INTERNAL POCKETS

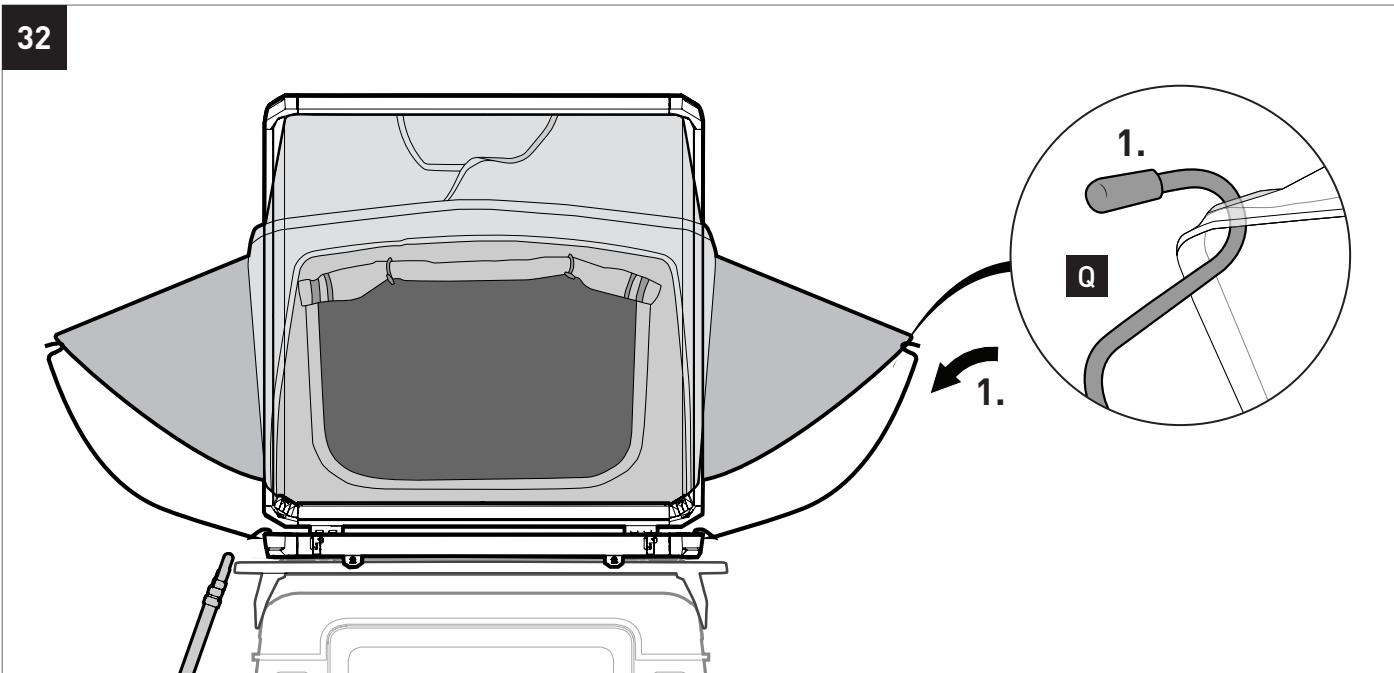
31



Portable Power Bank and USB-A cord can be stored in ceiling pocket.

# TENT STOWAGE - TAKEDOWN

32

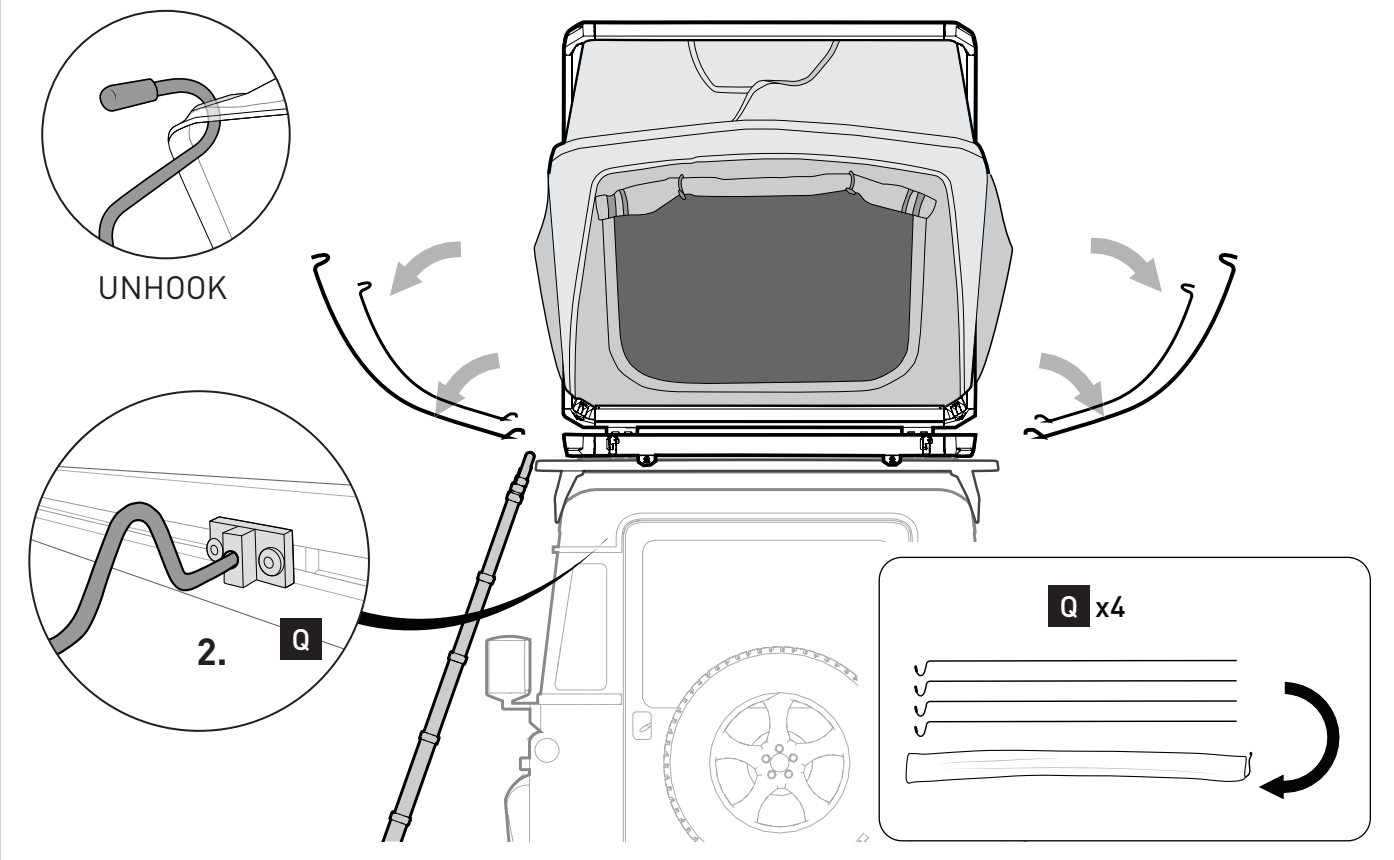


33

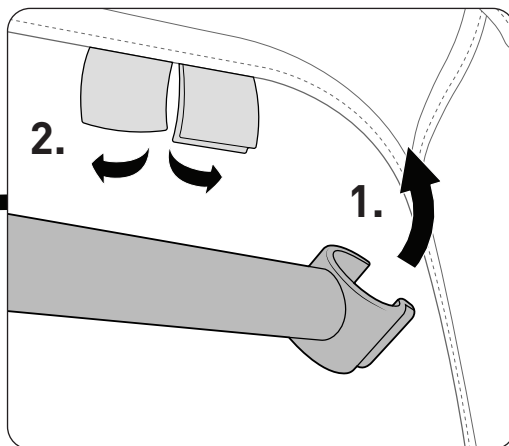
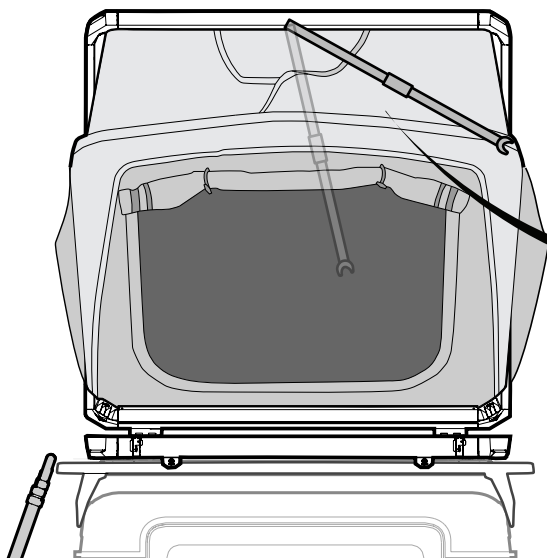
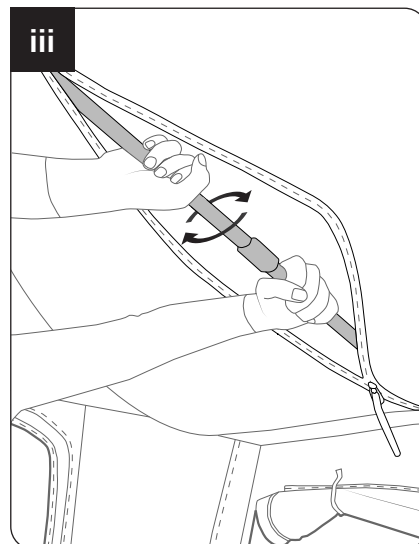
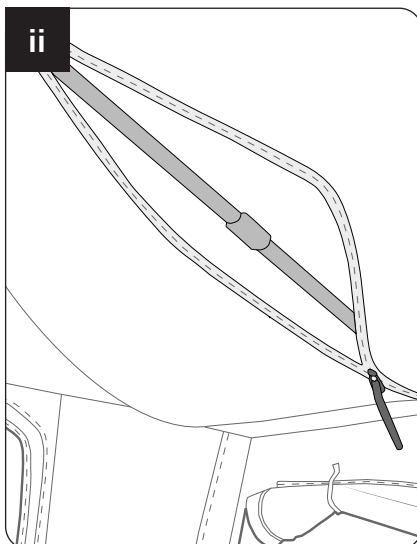
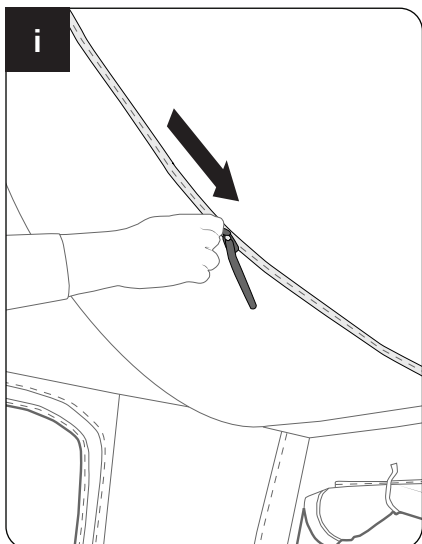


- Make sure there are no sharp items left in the tent.
- Allow tent to dry completely before stowing.
- Close the zippers of the doors and windows most of the way, leaving them slightly open to allow the tent to air out while it is folded.

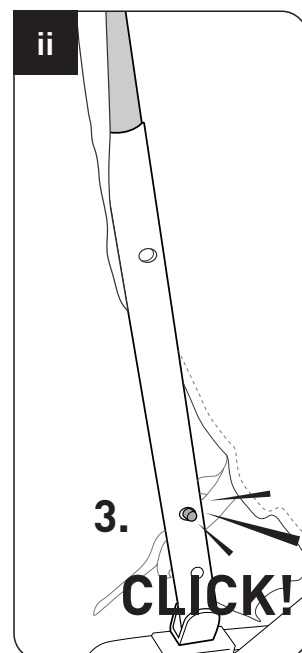
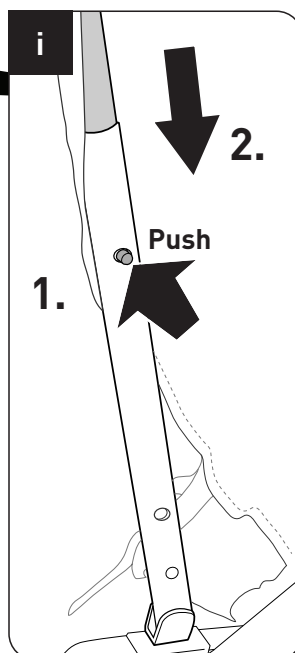
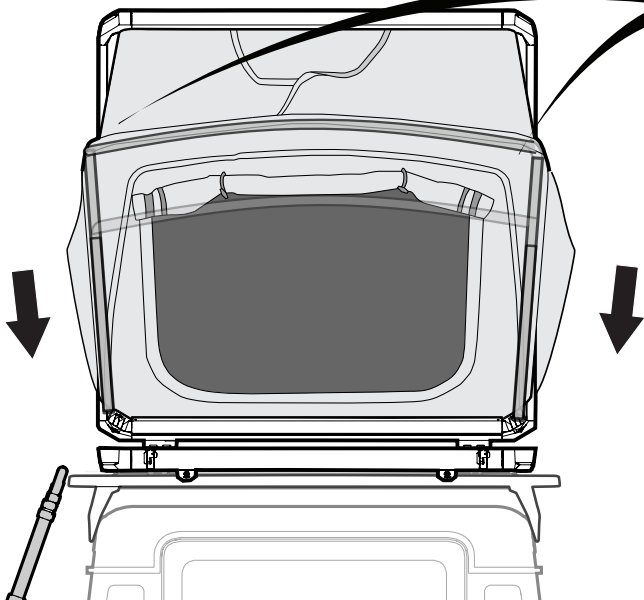
**NOTE:** For ease of future setup, bedding can be left inside. Ensure tent is still able to close fully



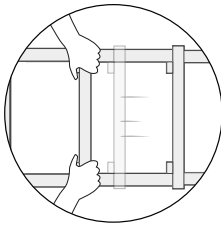
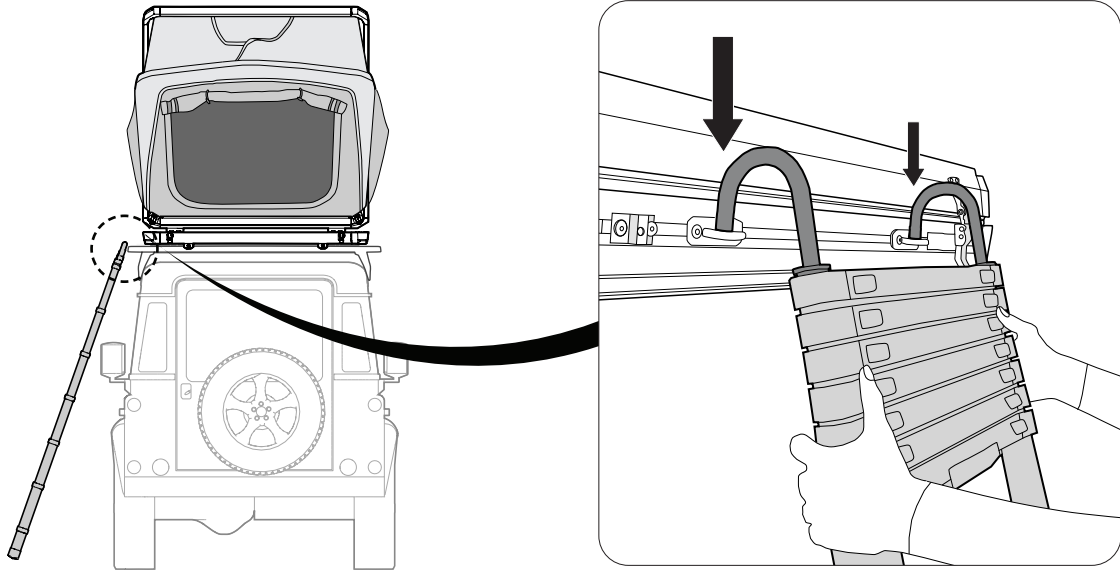
34



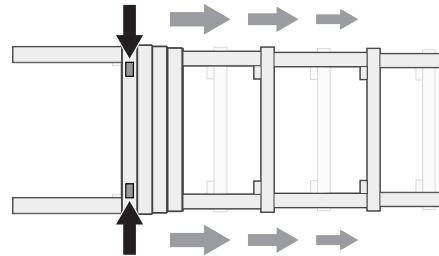
35



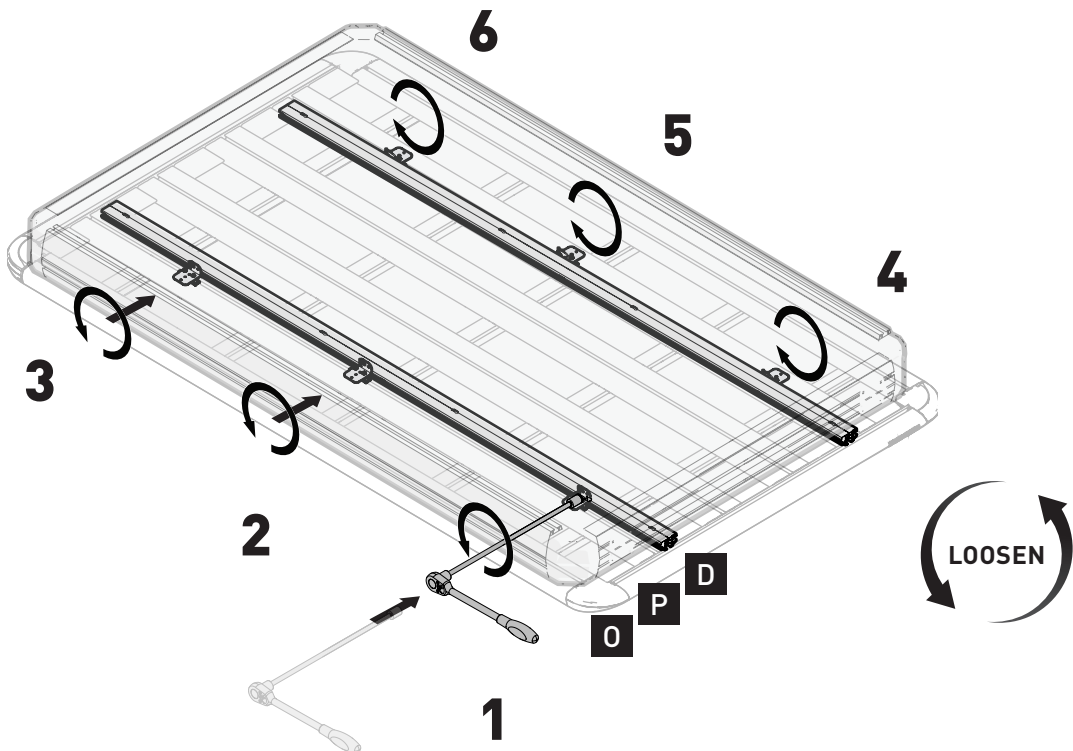
**36** Retract Ladder Completely. (*Ladder cannot be stored inside the tent.*)



Take caution not to pinch your fingers when retracting the ladder.

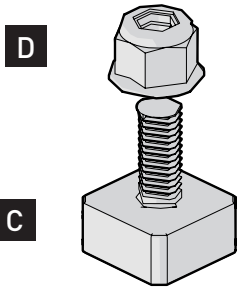
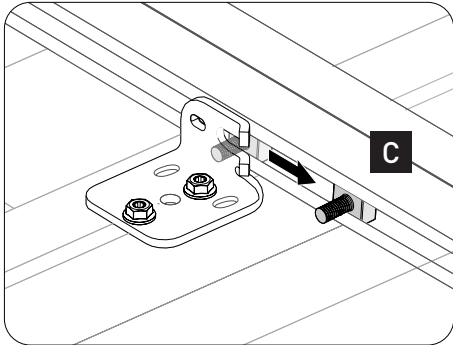
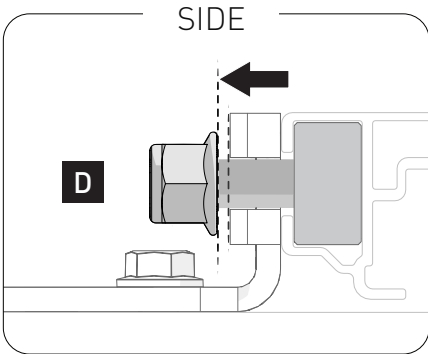
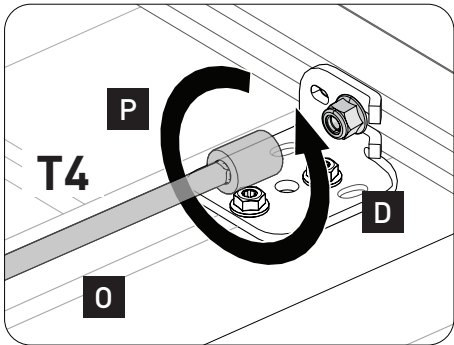


**37** TENT REMOVAL

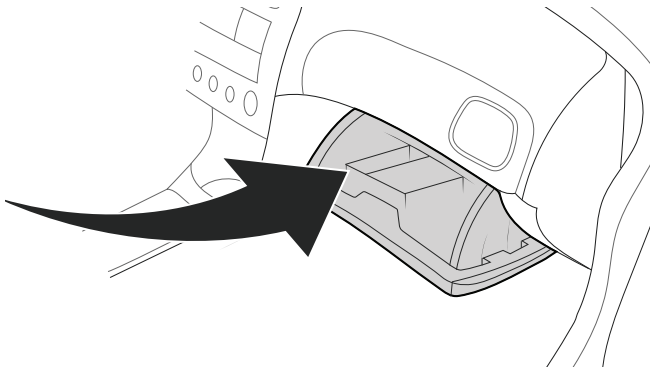


Step continues to the **next page**.

38

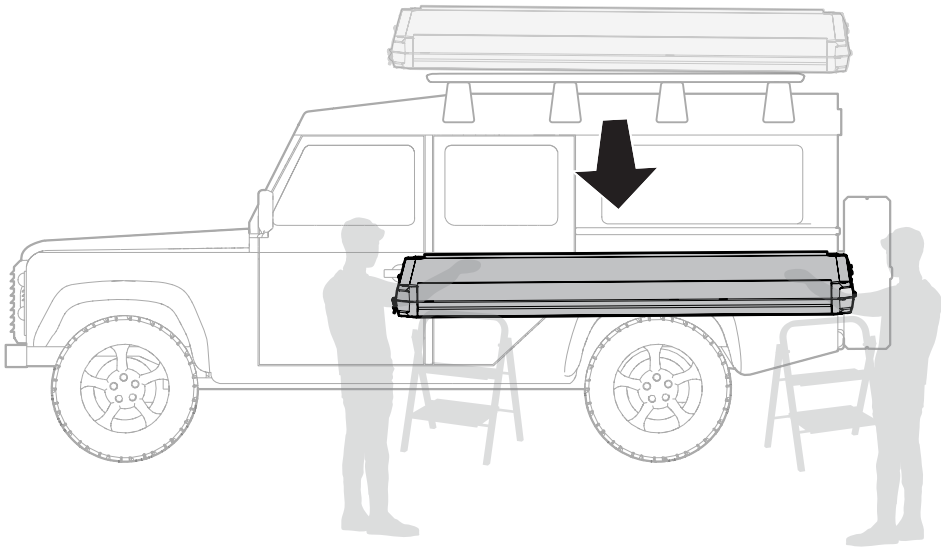


x6

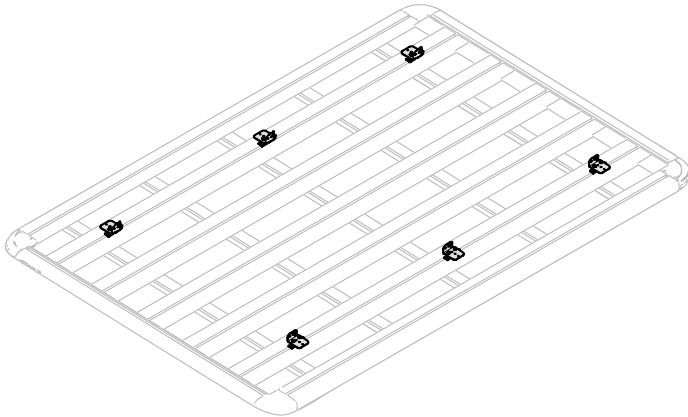


**NOTE:** Store Mounting Hardware in a safe place.

39



**NOTE:**  
Mount brackets  
can remain on the  
roof rack system!



# NOTES

---

---

---

---

---

---

---

---

# NOTES

---

---

---

---

---

---

---

---

# NOTES

---

---

---

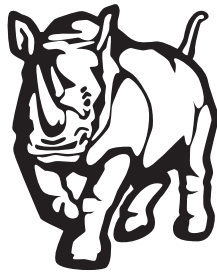
---

---

---

---

---



**RHINO-RACK®**

MAKE SPACE FOR ADVENTURE

**RHINORACK.COM**

**Rhino-Rack AUSTRALIA**

22A Hanson Place,  
Eastern Creek, NSW, 2766

**Rhino-Rack USA**

19822 E. 22nd Avenue, Unit B,  
Aurora, CO 80011